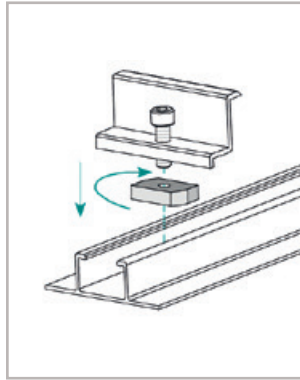
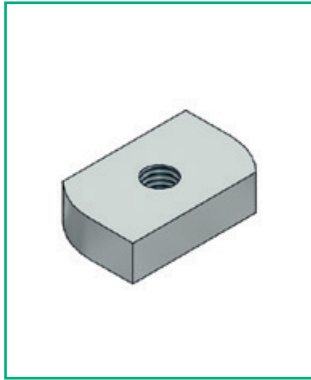


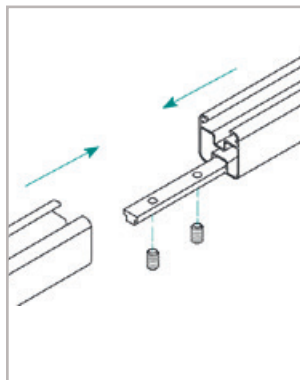
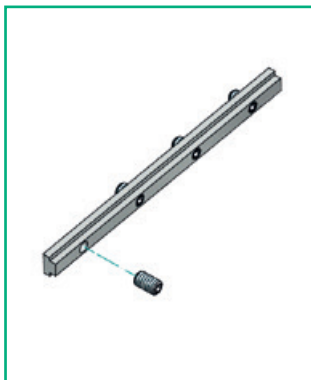
## ECCENTRIC NUT M8 – IN ALUMINIUM



<b>CODE</b>	<b>Ø</b>
ATL002.AL.M8	M8

- Materials:** • Raw extruded aluminium , AL6060-T5  
**Thickness:** • 8 mm  
**Characteristics:** • To be used with all Alusistemi module and profile-fixing clamps  
 • Compatible with all Alusistemi rail profiles

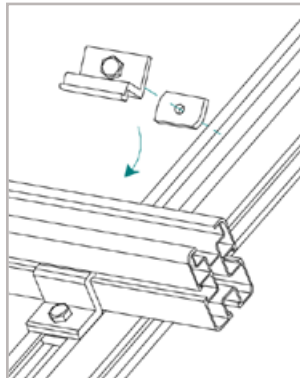
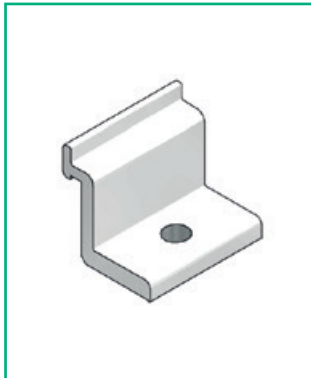
## RAIL ALIGNMENT BAR



<b>CODE</b>	<b>LENGTH</b>
ATL009	180 mm

- Materials:** • Galvanised steel  
**Characteristics:** • Complete with n. 4 grub screws  
 • Compatible with 40x40 and 45x45 mounting rails

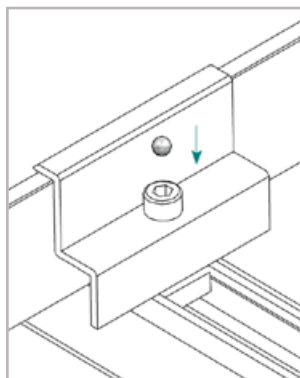
## PROFILE-FIXING CLAMP



CODE	FOR RAIL PROFILE	FASTENERS
ATL003.01	45x65	Yes
ATL003.02		No
ATL055.01	45x45	Yes
ATL055.02		No

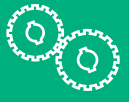
- Materials:** • Raw extruded aluminium, AL6060-T5  
 • Fasteners in A2 stainless steel + Eccentric Nut in Aluminium (included both in ATL003.01 and ATL055.01)  
**Dimensions:** • Ø M8 - L= 45 mm  
**Characteristics:** • Compatible with 45x45 Mounting Rail and 45x65 Mounting Rail

## RETAINING BALL STUD

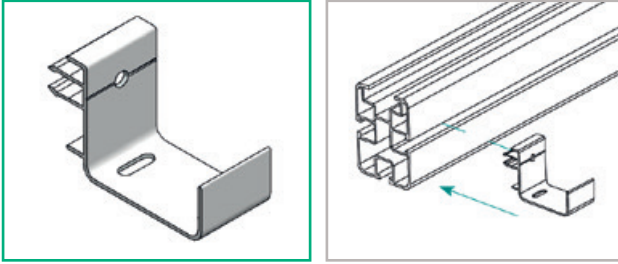


<b>CODE</b>	<b>DIMENSIONS</b>
ATL32	Ø = 6,35

- Materials:** • A2 stainless steel  
**Characteristics:** • Compatible with screw TCEI M8



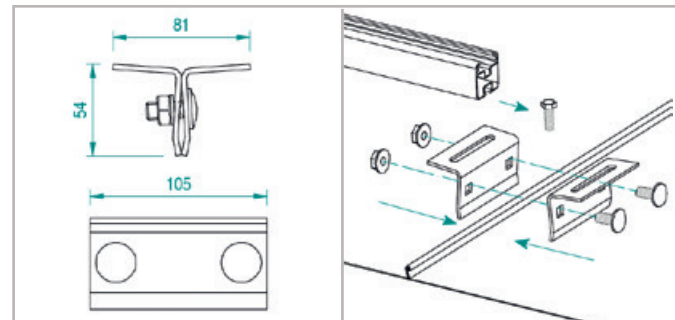
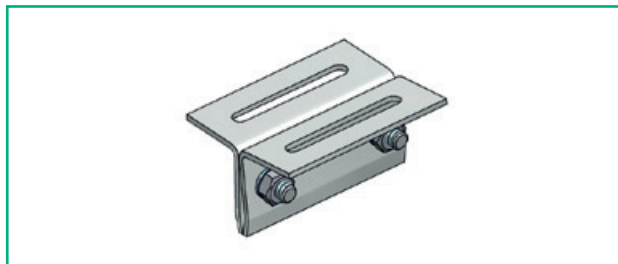
## CABLE DUCTING



CODE	DIMENSIONS
ATL011	L = 25 mm - THICK. = 3 mm

- Materials:**
- Raw extruded aluminium, AL6060-T5
- Characteristics:**
- Provided with slotted holes for tie wraps
  - Only compatible with 45x45 and 45x65 mounting rails

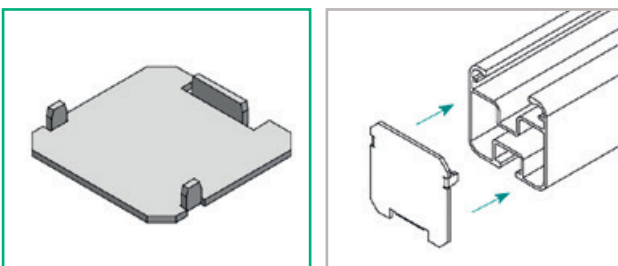
## BRACKET FOR RAIL FIXING ON FOLDED SHEET



CODE	BRACKET LENGTH
ATL034	105 mm

- Materials:**
- Bracket in stainless steel AISI304
  - Fasteners for bracket assembly in A2 stainless steel (included)
- Characteristics:**
- Compatible with 40x40 and 45x45 mounting rails
  - Fasteners for profile fixing in A2 stainless steel (included)

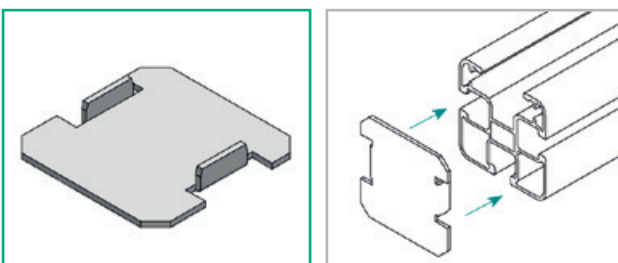
## COVER CAP 40X40



CODE	APPLICATION
ATL047.4040	For 40x40 mounting rail

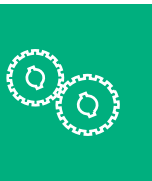
- Materials:**
- Raw aluminium
- Characteristics:**
- Only compatible with 40x40 mounting rail
- Application:**
- Snap-in application

## COVER CAP 45X45

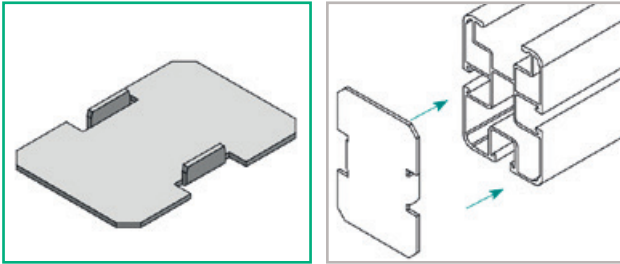


CODE	APPLICATION
ATL047.4545	For 45x45 mounting rail

- Materials:**
- Raw aluminium
- Characteristics:**
- Only compatible with 45x45 mounting rail
- Application:**
- Snap-in application



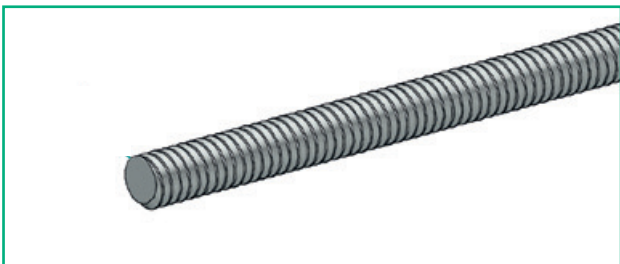
## COVER CAP 45X65



CODE	APPLICATION
ATL047.4565	For 45x65 mounting rail

- Materials:** • Raw aluminium  
**Characteristics:** • Only compatible with 45x65 mounting rail  
**Application:** • Snap-in application

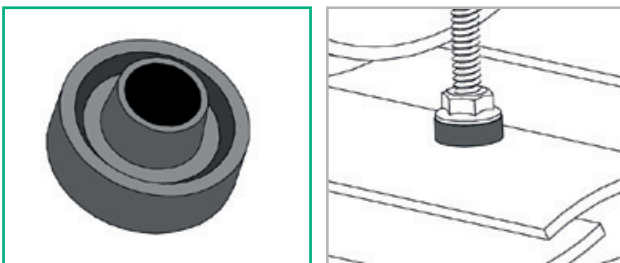
## THREADED BAR



CODE	TYPE	Ø	L
ATL068.M10	STAINLESS STEEL	M10	1mt
ATL068.M12		M12	
ATL089.M10	GALVANISED STEEL	M10	1mt
ATL089.M12		M12	

- Materials:** • A2 Stainless steel  
 • Galvanised steel

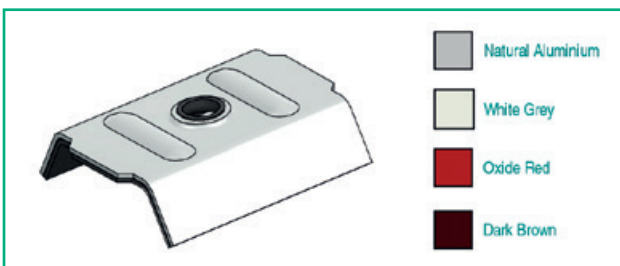
## EPDM SEAL FOR THREADED ELEMENTS



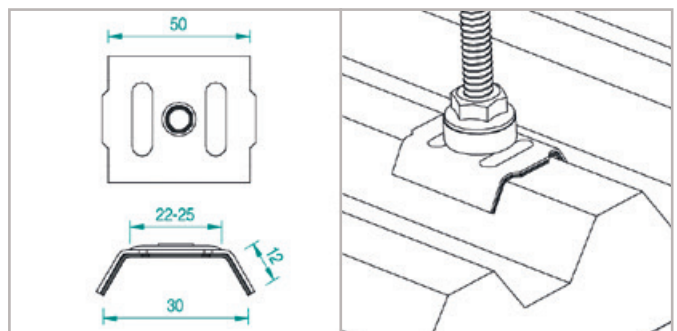
CODE	DIMENSIONS
ATL031	Ø10 ÷ Ø12

- Materials:** • Black EPDM  
**Characteristics:** • Compatible with threaded elements both of M10 and M12

## SADDLE WASHER WITH SEAL FOR FRETTED SHEET

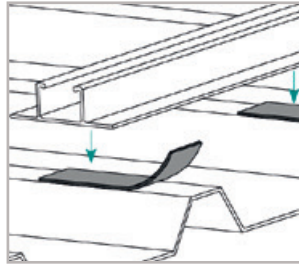
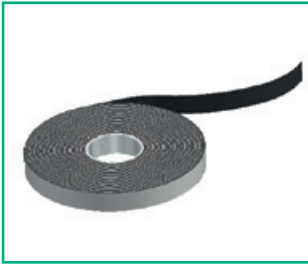


CODE	COLOUR
ATL088.NA	NATURAL ALUMINIUM
ATL088.GR	WHITE GREY
ATL088.RO	OXIDE RED
ATL088.TM	DARK BROWN



- Materials:** • Prepainted aluminium  
 • Black EPDM seal  
**Characteristics:** • Compatible with fretted sheet H20  
**Notes:** • On request, possible supply of saddle washers with different shapes

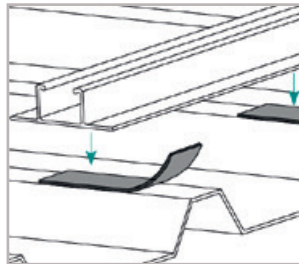
## EPDM SHEATH TAPE



CODE	DIMENSIONS
ATL057	Length= 20mt - Width= 30 mm - Thick. = 2mm

- Materials:**
- Black crosslinked EPDM - adhesive with protective film
- Characteristics:**
- Density = 130 Kg/m<sup>3</sup>
  - Operating temperature = -80° ÷ +100°
  - Suitable for aluminium rails and accessories laying on fretted sheet

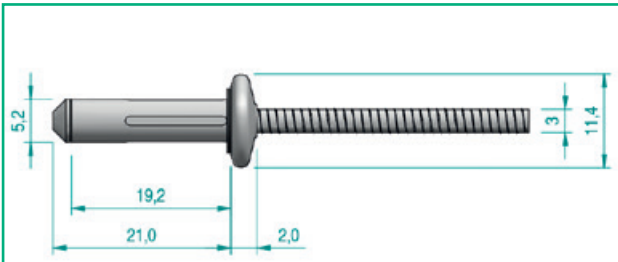
## BUTYLENE WATERPROOFING SHEATH TAPE



CODE	DIMENSIONS
ATL077	Length = 10mt - Width= 30 mm - Thick. = 1,5mm

- Materials:**
- Butyl compound reinforced with polyester mesh – adhesive with protective film
- Characteristics:**
- Tensile strength = >140 N/50 mm
  - Elongation at break = >15%
  - Operating temperature = -40° ÷ +130°
  - Suitable in case of use of self tapping screws in order to drive the hole waterproofing

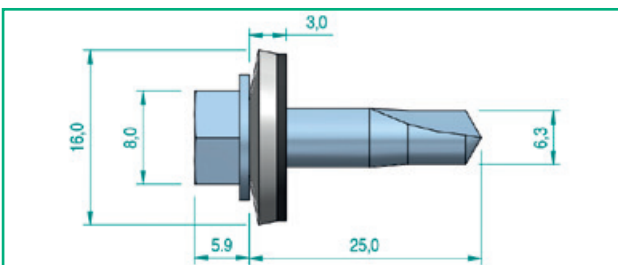
## ALUMINIUM BLIND RIVET – WITH SEAL



CODE	DIMENSIONS
ATL058	Ø = 5,2 - L = 19,2 mm

- Materials:**
- Aluminium with black rubber seal
- Characteristics:**
- Pre-bored hole = Ø 5,35
  - Suitable for the laying of aluminium rails and accessories on fretted sheet

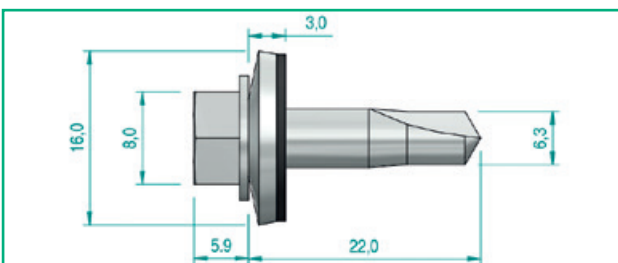
## BIMETAL SELF-DRILLING SCREW



CODE	DIMENSIONS
ATL074	Ø = 6,3 mm - L = 25 mm

- Materials:**
- Body of the screw = stainless steel A4 70
  - Tip of the screw = hardened steel
- Characteristics:**
- Sealing washer = stainless steel + black EPDM
  - Special anti-friction coating
  - Drilling capacity in sheets with thickness up to 1 mm

## SELF-DRILLING SCREW WITH ANTICORROSION COATING



CODE	DIMENSIONS
ATL076	Ø = 6,3 mm - L = 22 mm

- Materials:**
- Casehardened steel , white galvanised
  - Sealing washer in A2 stainless steel + black EPDM
- Characteristics:**
- Anticorrosion coating, suitable for application in aggressive environment (sea areas, industrial areas ...)
  - Drilling capacity in sheets with thickness up to 1 mm

