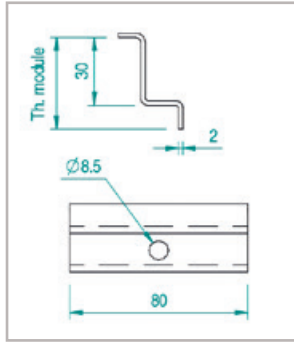
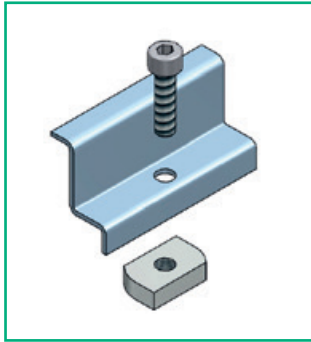


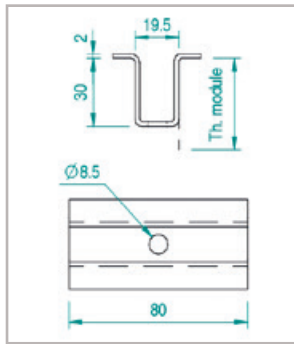
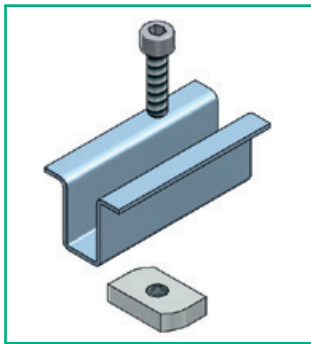
END CLAMP WITH ECCENTRIC NUT AND SCREW (INCLUDED)



- Materials:**
- Stainless steel AISI304
 - Screw in A2 stainless steel
 - Nut in raw extruded aluminium, AL6060-T5

CODE	L (mm)	MODULE THICK. (mm)	SCREW (included)
ATL004.8030-AI	80	30	TCEI M8x20
ATL004.8032-AI	80	32	TCEI M8x20
ATL004.8034-AI	80	34	TCEI M8x25
ATL004.8035-AI	80	35	TCEI M8x25
ATL004.8036-AI	80	36	TCEI M8x25
ATL004.8038-AI	80	38	TCEI M8x25
ATL004.8040-AI	80	40	TCEI M8x30
ATL004.8042-AI	80	42	TCEI M8x30
ATL004.8044-AI	80	44	TCEI M8x30
ATL004.8045-AI	80	45	TCEI M8x35
ATL004.8046-AI	80	46	TCEI M8x35
ATL004.8048-AI	80	48	TCEI M8x35
ATL004.8050-AI	80	50	TCEI M8x40

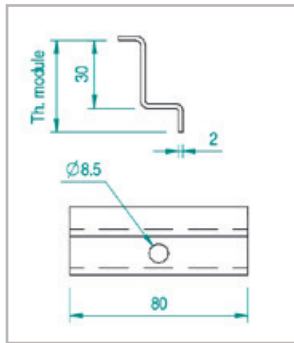
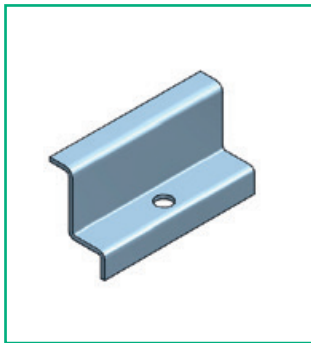
MIDDLE CLAMP WITH ECCENTRIC NUT AND SCREW (INCLUDED)



- Materials:**
- Stainless steel AISI304
 - Screw in A2 stainless steel
 - Nut in raw extruded aluminium, AL6060-T5

CODE	L (mm)	MODULE THICK. (mm)	SCREW (included)
ATL006.80.3032-AI	80	30 ÷ 32	TCEI M8x20
ATL006.80.3438-AI	80	34 ÷ 38	TCEI M8x25
ATL006.80.4044-AI	80	40 ÷ 44	TCEI M8x30
ATL006.80.4548-AI	80	45 ÷ 48	TCEI M8x35
ATL006.80.50-AI	80	50	TCEI M8x40

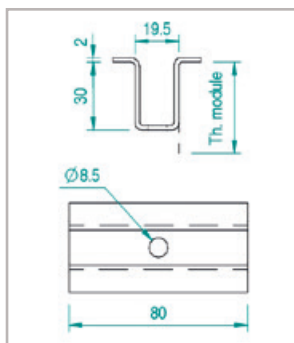
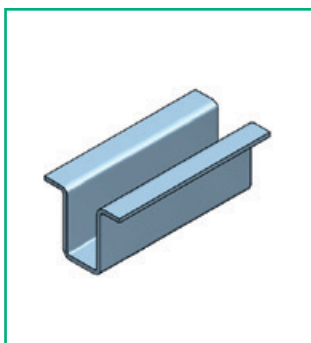
END CLAMP WITHOUT FASTENERS



- Materials:**
- Stainless steel AISI304

CODE	L (mm)	MODULE THICK. (mm)	SCREW
ATL021.8030-AI	80	30	Not included
ATL021.8032-AI	80	32	Not included
ATL021.8034-AI	80	34	Not included
ATL021.8035-AI	80	35	Not included
ATL021.8036-AI	80	36	Not included
ATL021.8038-AI	80	38	Not included
ATL021.8040-AI	80	40	Not included
ATL021.8042-AI	80	42	Not included
ATL021.8044-AI	80	44	Not included
ATL021.8045-AI	80	45	Not included
ATL021.8046-AI	80	46	Not included
ATL021.8048-AI	80	48	Not included
ATL021.8050-AI	80	50	Not included

MIDDLE CLAMP WITHOUT FASTENERS



- Materials:**
- Stainless steel AISI304

CODE	L (mm)	MODULE THICK. (mm)	SCREW
ATL020.80-AI	80	30 ÷ 50	Not included