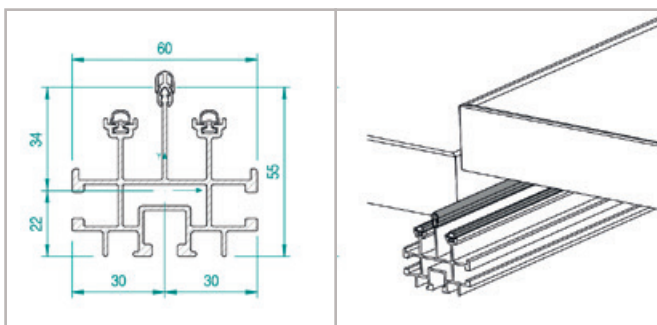
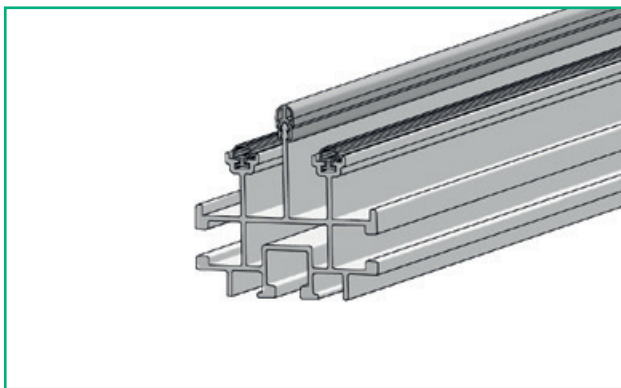


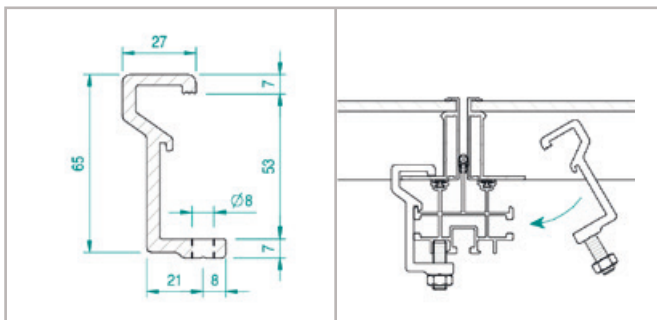
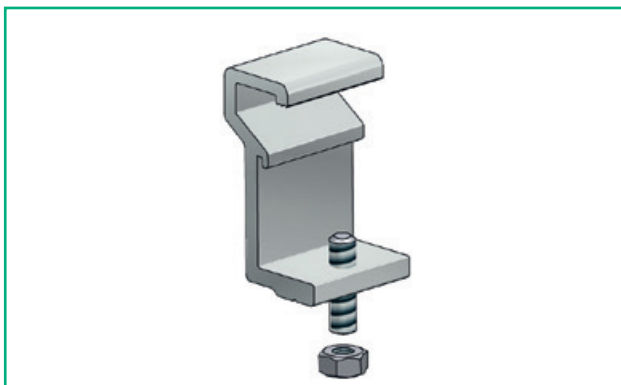
MOUNTING RAIL FOR WATERTIGHT PHOTOVOLTAIC ROOFING



- Materials:**
- Raw extruded aluminium, AL6060-T6 + black PVC seal
- Characteristics:**
- To be used for mounting structures of PV installations on pre-existing shade roofs.
 - For the rail-anchoring, the use of aluminium angular profiles with slotted holes is recommended.
 - The rail is sold with the pre-assembled PVC seal included

CODE	RAIL LENGTH
ATLPS4662.680	6,8 mt

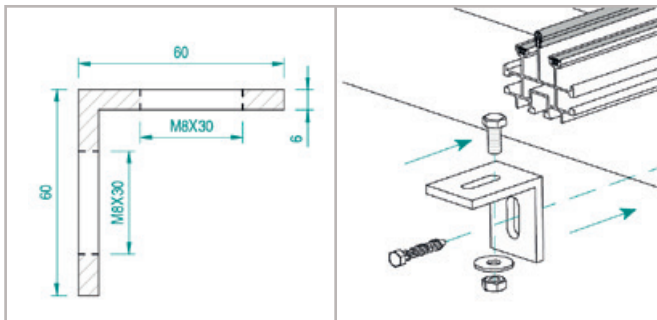
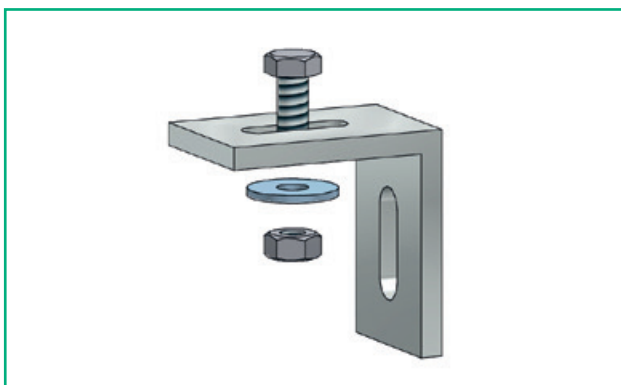
MODULE-FIXING CLAMP FOR WATERTIGHT PHOTOVOLTAIC ROOFING



- Materials:**
- Raw extruded aluminium, AL6060-T6
 - Fasteners in A2 stainless steel
- Characteristics:**
- Universal clamp
 - Only compatible with ATLPS4662.680 mounting rail
 - Included fasteners = 1 threaded grub screw M8x30 + 1 nut M8

CODE	DIMENSIONS
ATL024	H=65mm - Ø=8 mm

ANGULAR PROFILE FOR PER RAIL ANCHORING



- Materials:**
- Raw extruded aluminium, AL6060-T5
- Characteristics:**
- Provided with 2 slotted holes for the screw used for the rail fixing

CODE	DIMENSIONE
FTM0313	60 x 60 x 6 mm

