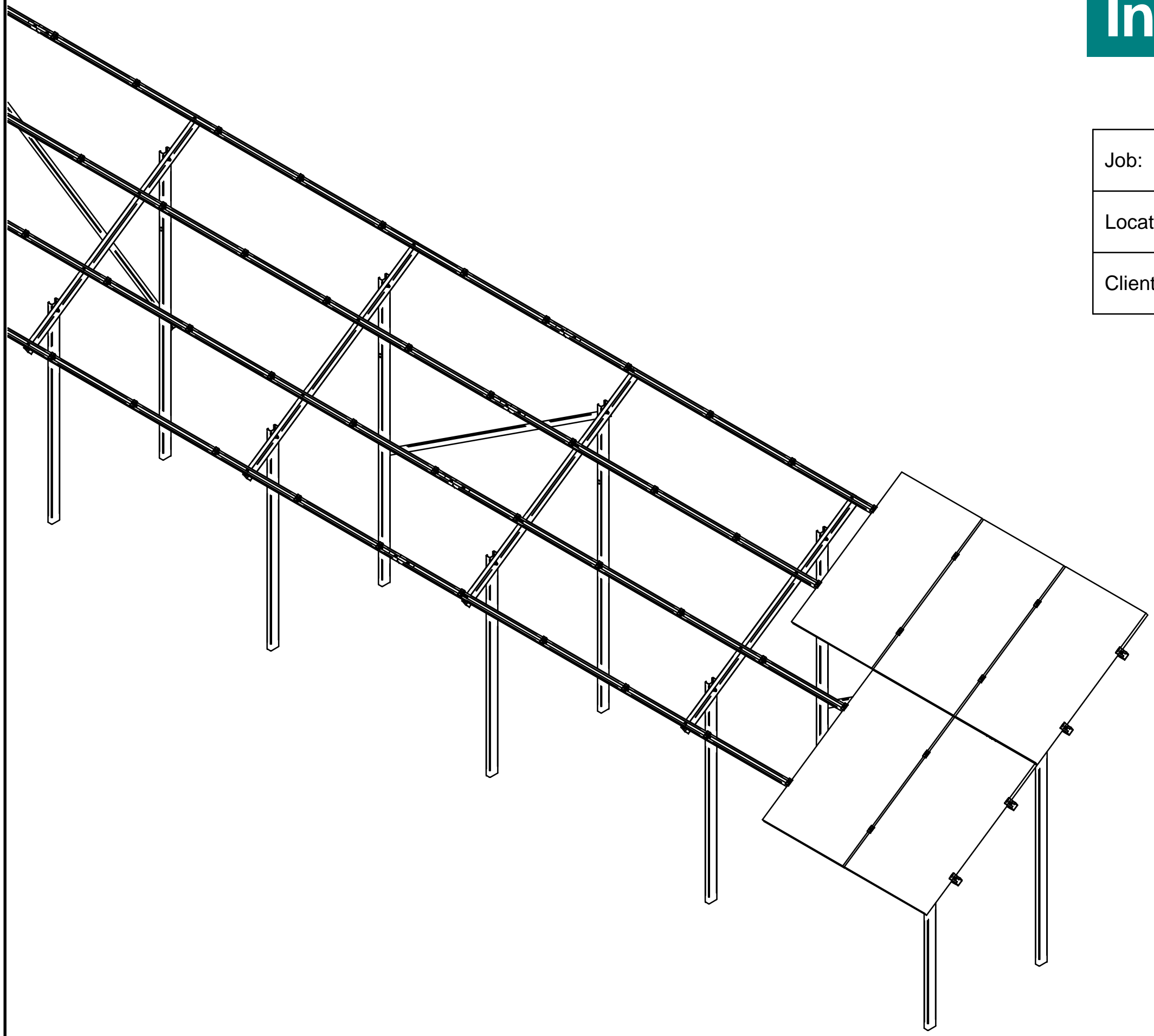


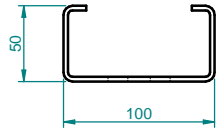
Installation manual



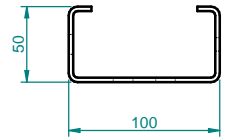
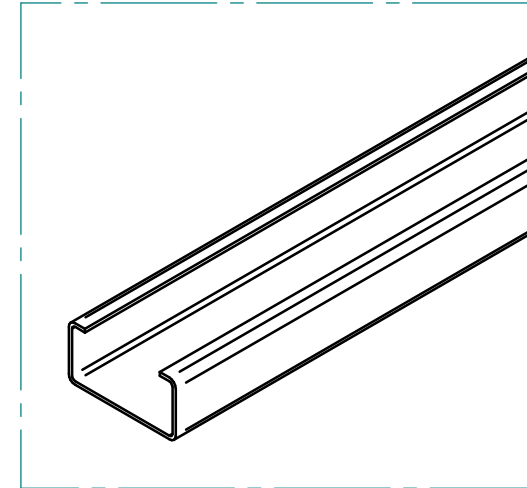
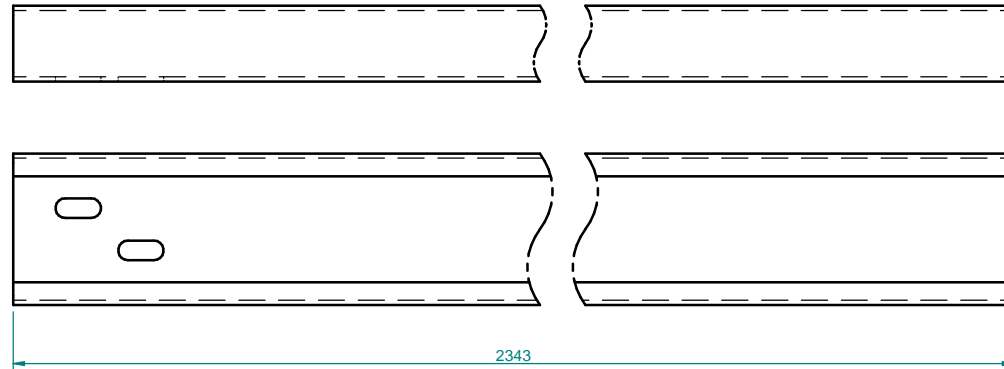
Job:	
Location:	
Client:	

SUPPLY DESCRIPTION: PILES AND BRACINGS

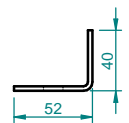
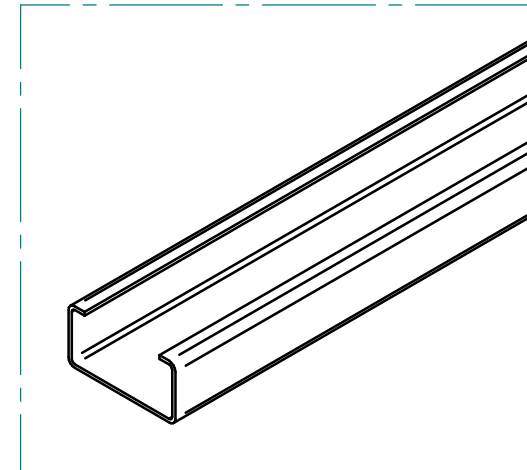
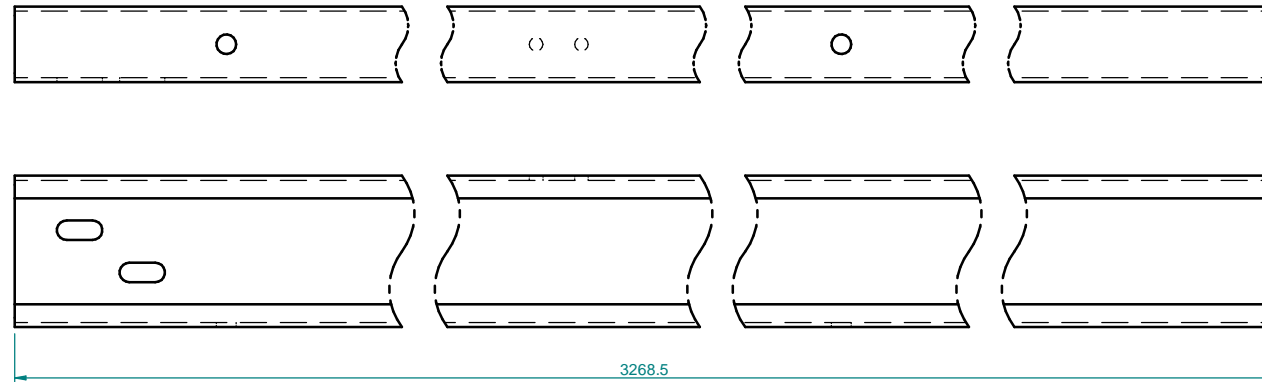
CODE	DESCRIPTION	LENGTH [mm]
FTL2193	Front pile	---
FTL2194	Rear pile	---
FTL2217	Bracing	---



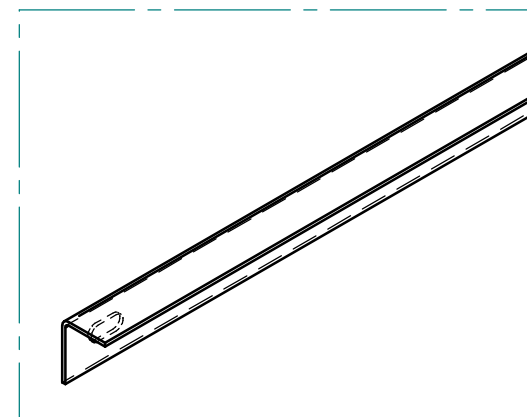
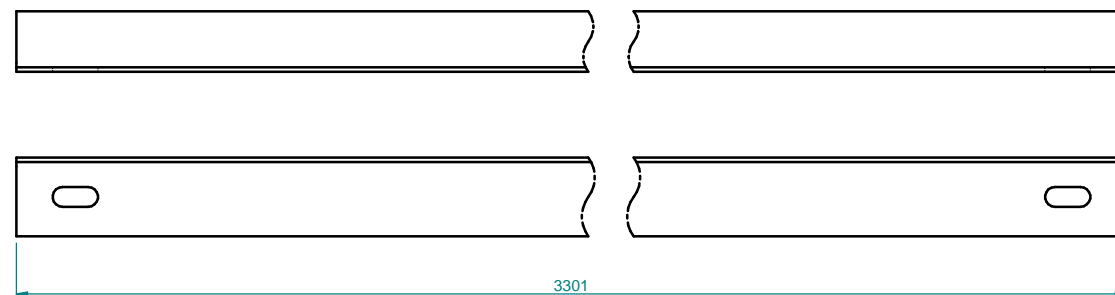
FTL2193



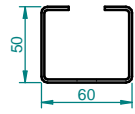
FTL2194



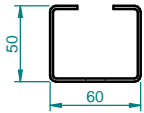
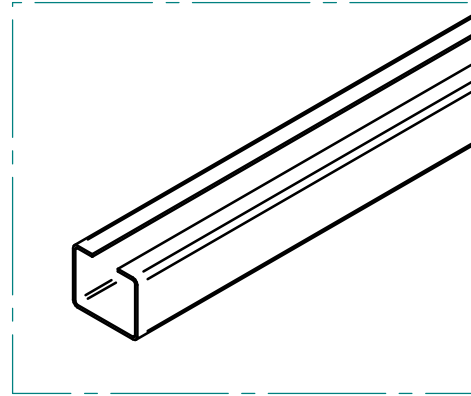
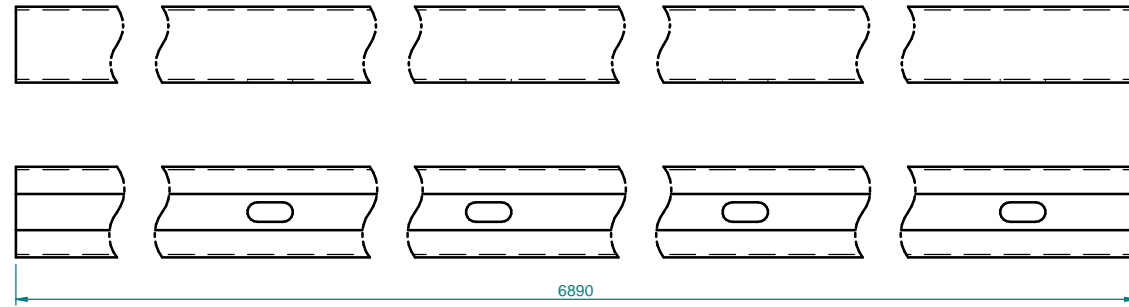
FTL2217



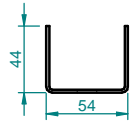
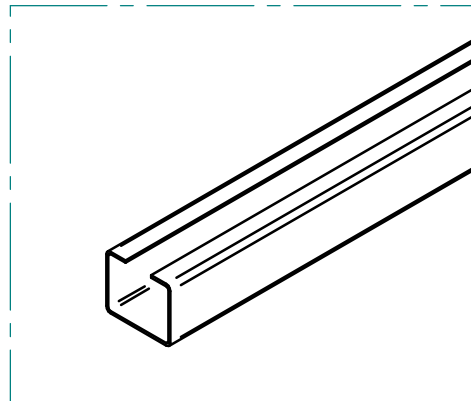
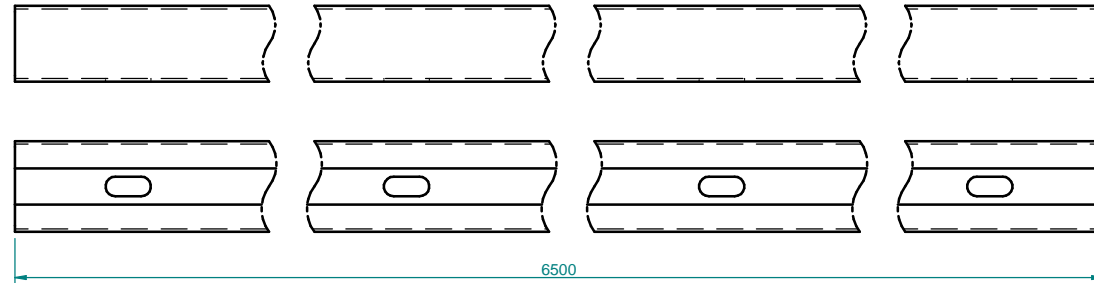
SUPPLY DESCRIPTION: PURLINS, JOINTS FOR PURLINS AND BEAMS



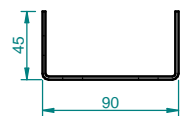
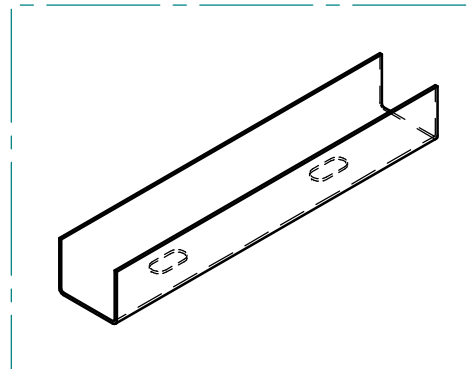
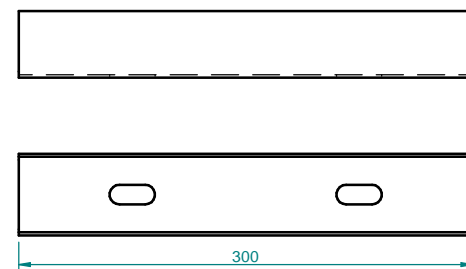
FTL2215



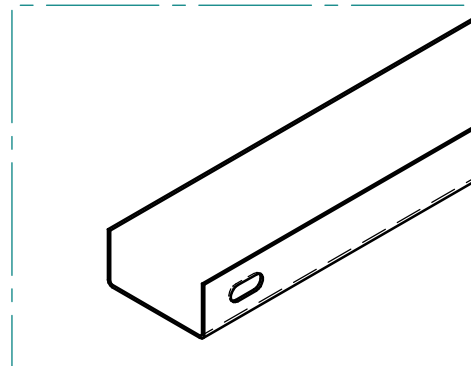
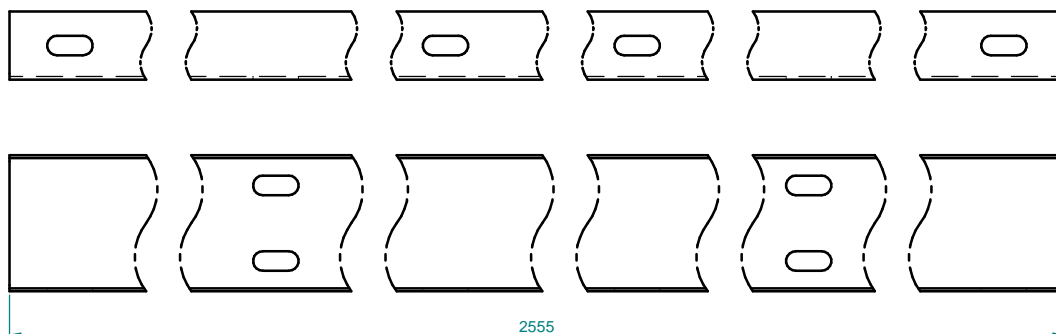
FTL2216



FTL2169



FTL2125

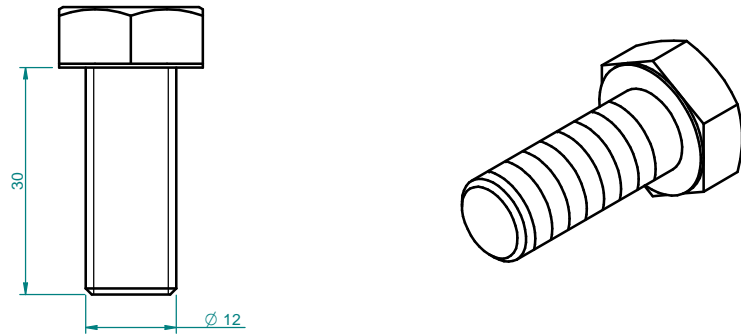


CODE	DESCRIPTION	LENGTH [mm]
FTL2215	Purlin	---
FTL2216	Purlin	---
FTL2169	Joint	---
FTL2125	Beam	---

SUPPLY DESCRIPTION: STRUCTURE FASTENERS

CODE	DESCRIPTION	MATERIAL
FVTE040	Hex head screw M12x30	Steel with "Nautilus" coating, Grade 8.8
FVDA040	Hex nut M12	Steel with "Nautilus" coating, Class 6S
FVRO029	Washer M12 14x24x2	Steel with "Nautilus" coating

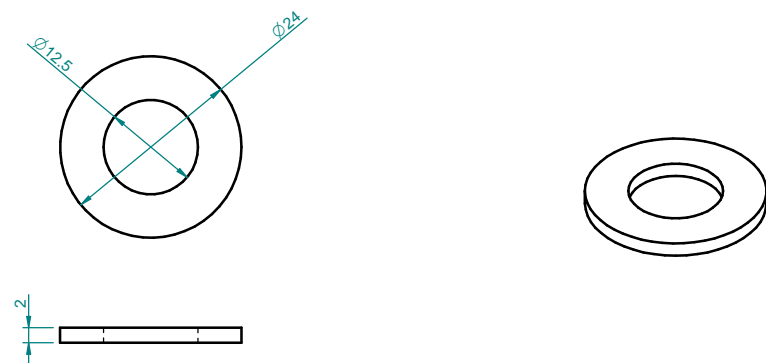
FVTE040



FVDA040

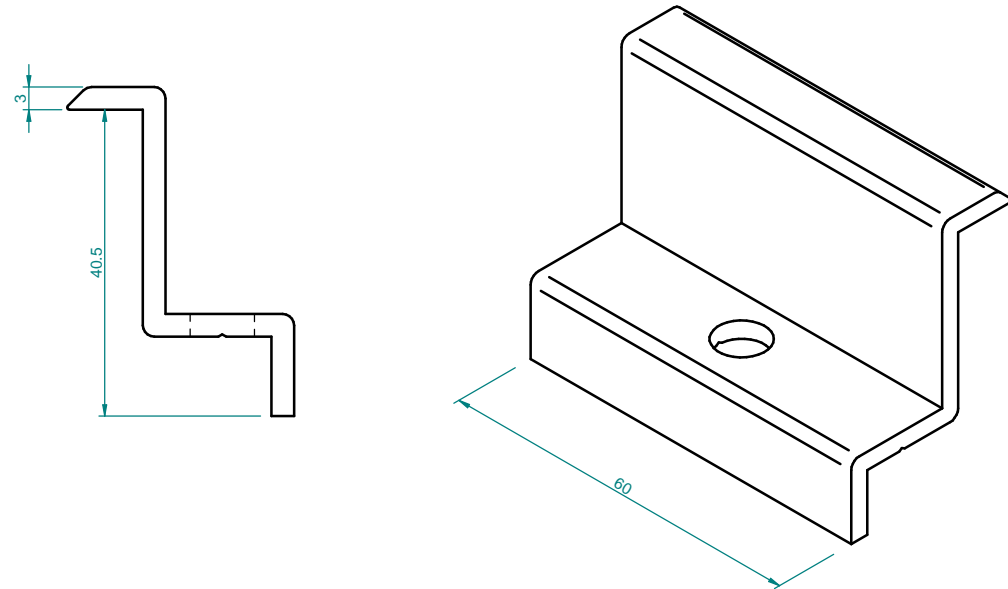


FVRO029

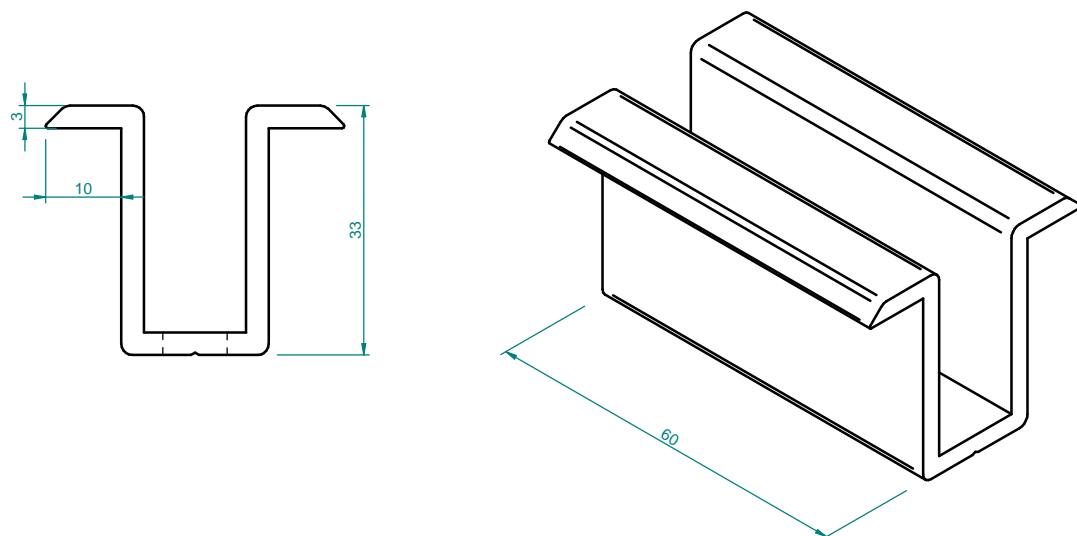


SUPPLY DESCRIPTION: MODULES FASTENERS

FTL2170



FTL2171

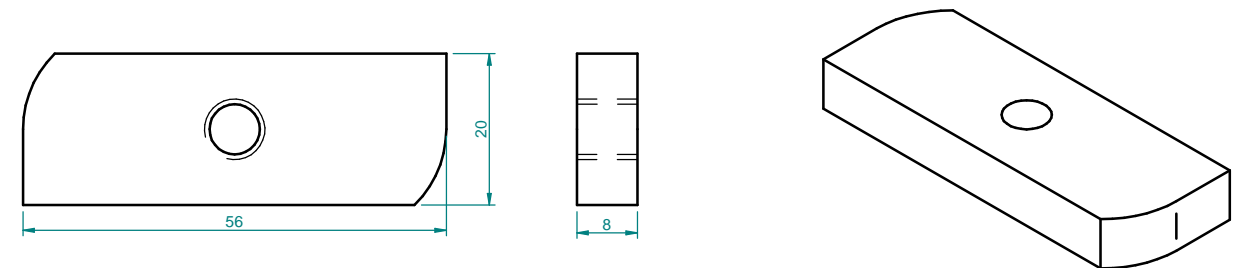


CODE	DESCRIPTION	MATERIAL
FVTC006	Hexagon socket head cap screw M8x35	A2 Stainless steel
ATL032	Retaining ball stud	A2 Stainless steel
FTL2170	Module end clamp	Aluminum, EN AW-6060 T5
FTL2171	Module middle clamp	Aluminum, EN AW-6060 T5
FTL1393	Eccentric nut M8	Aluminum, EN AW-6060 T5

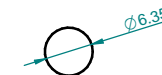
FVTC006



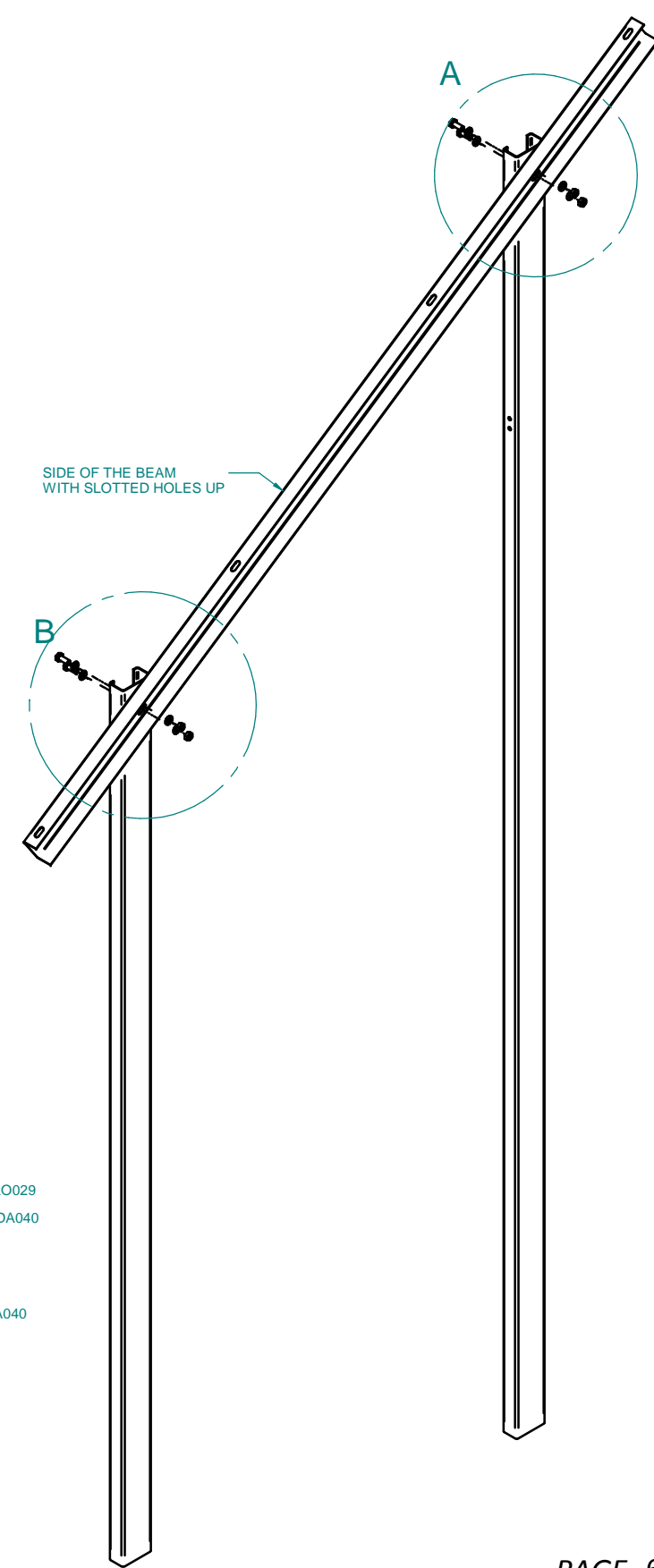
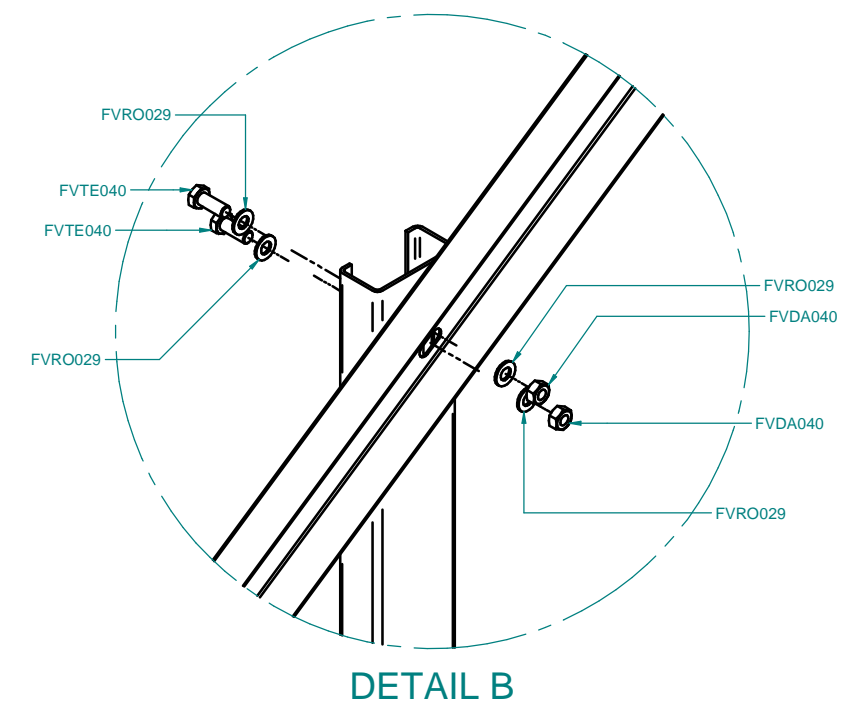
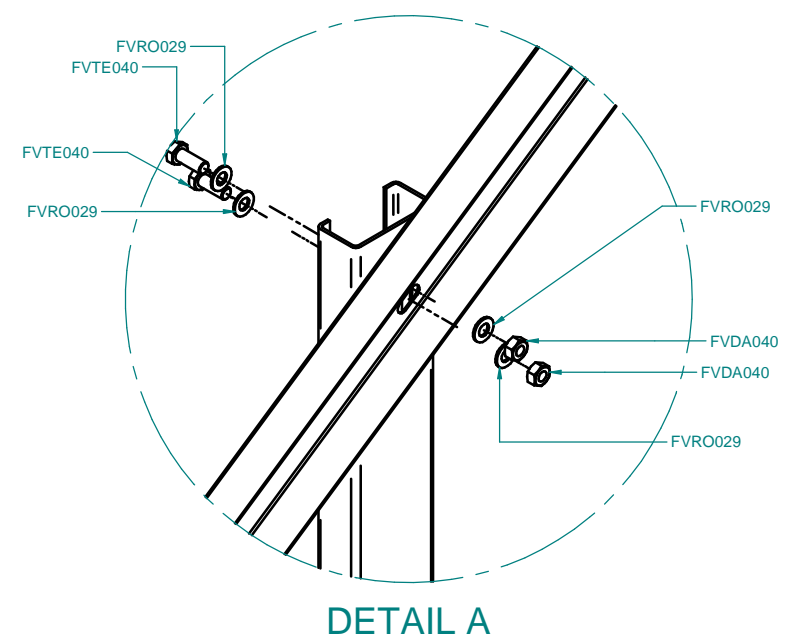
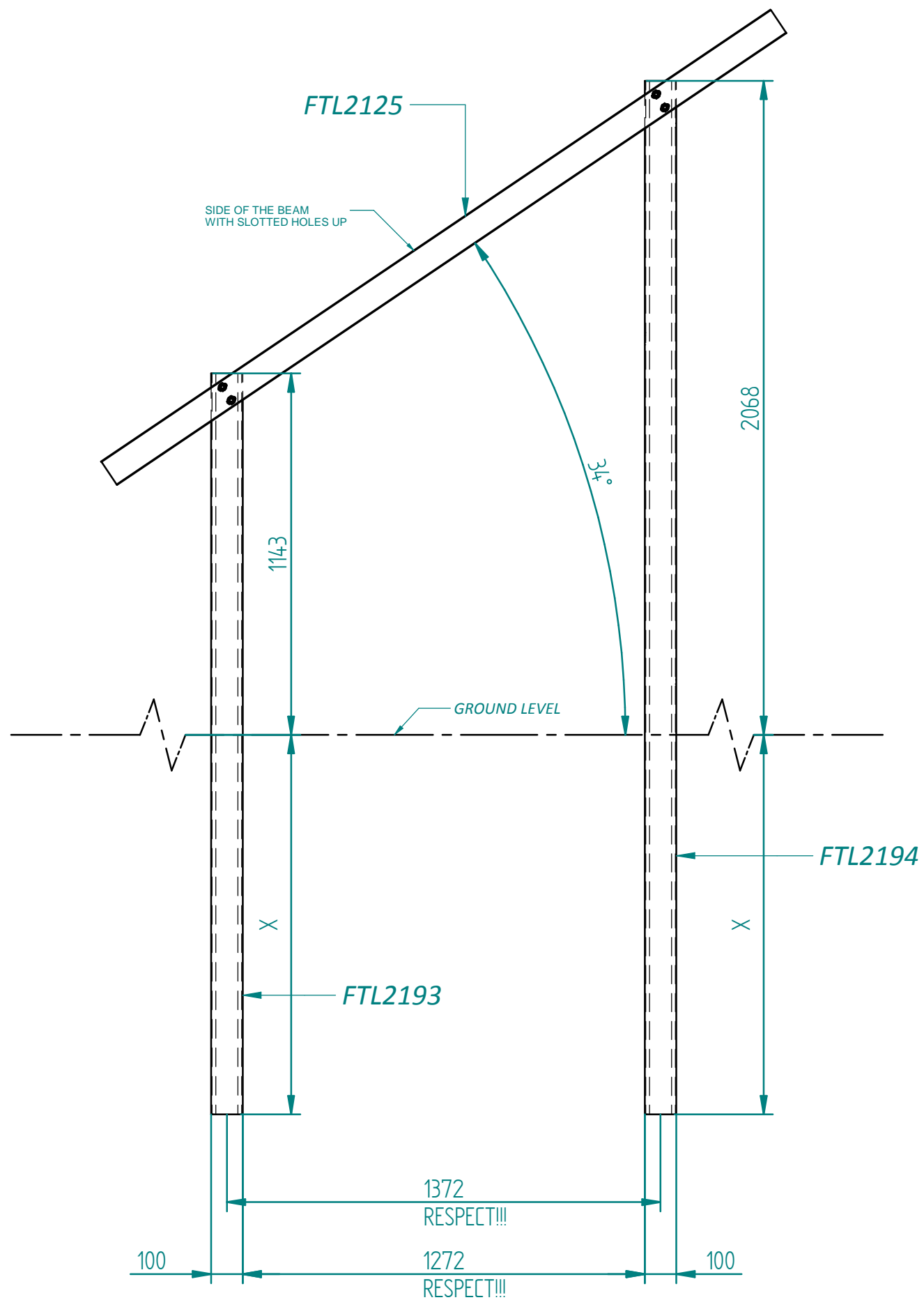
FTL1393



ATL032

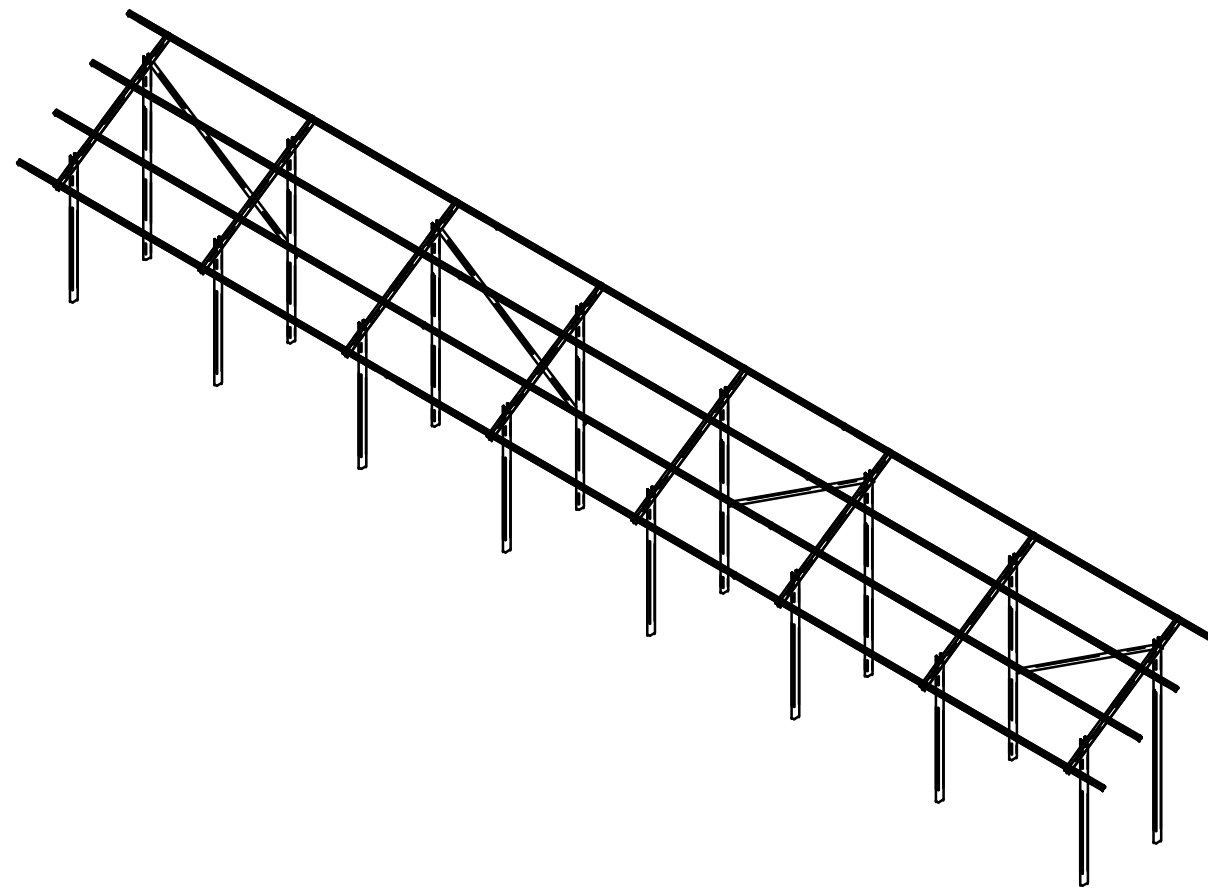
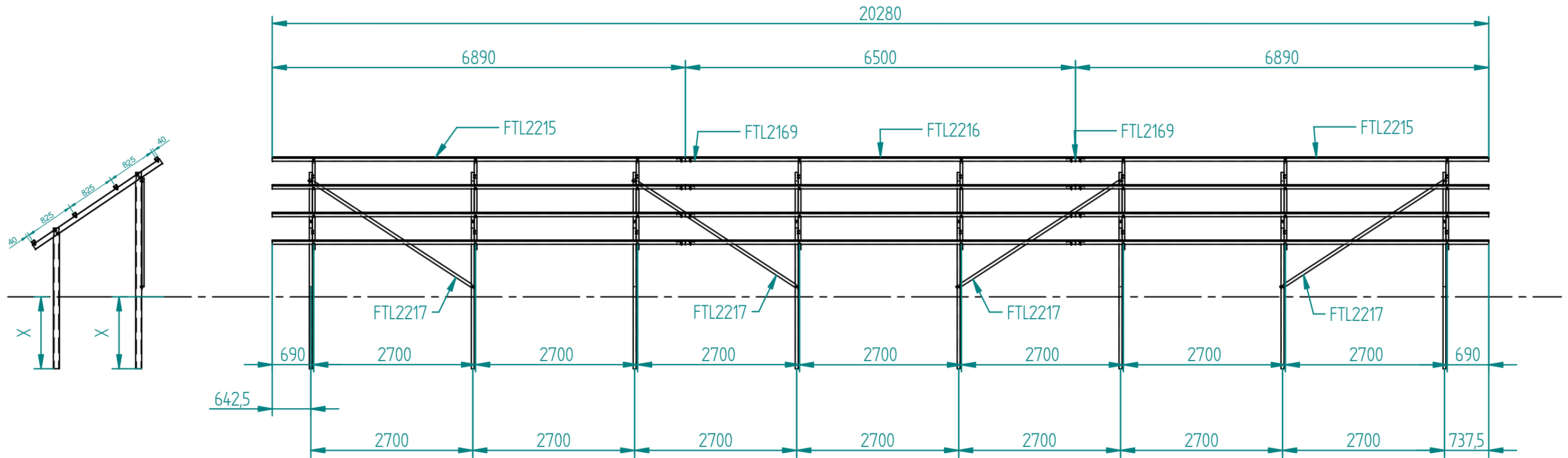


SUPPORT MOUNTING



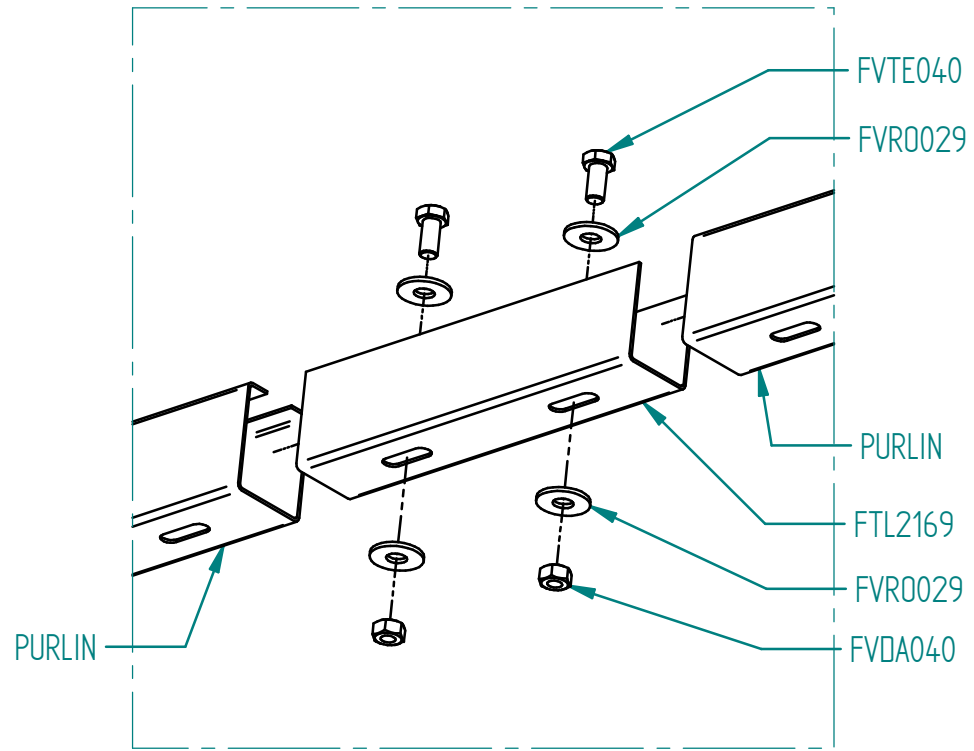
STRUCTURE MOUNTING

(see next pages for mounting details)

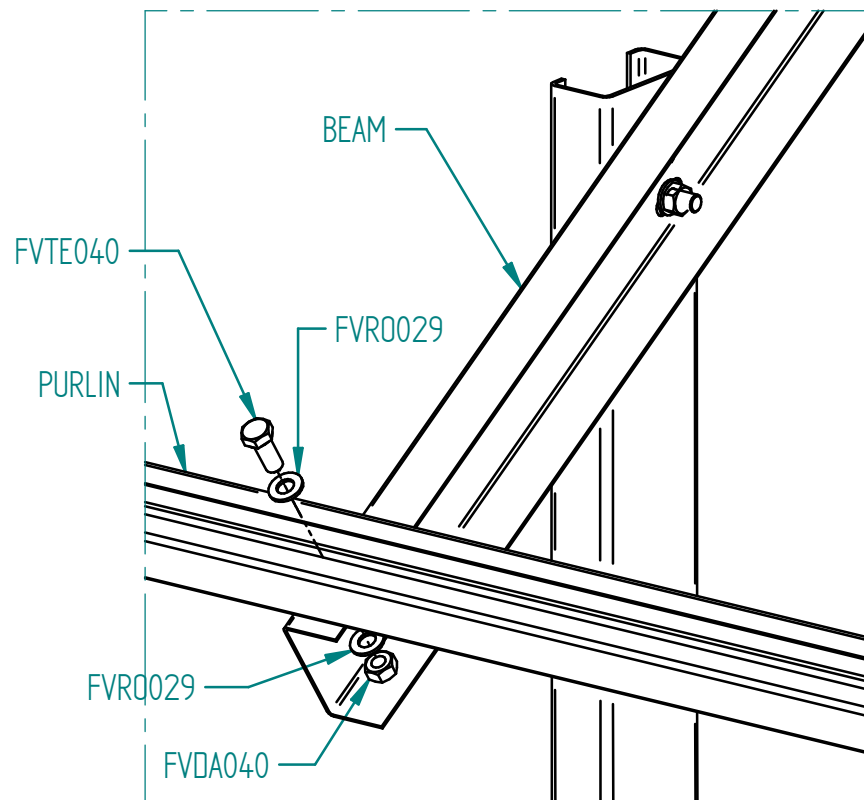


STRUCTURE MOUNTING DETAILS

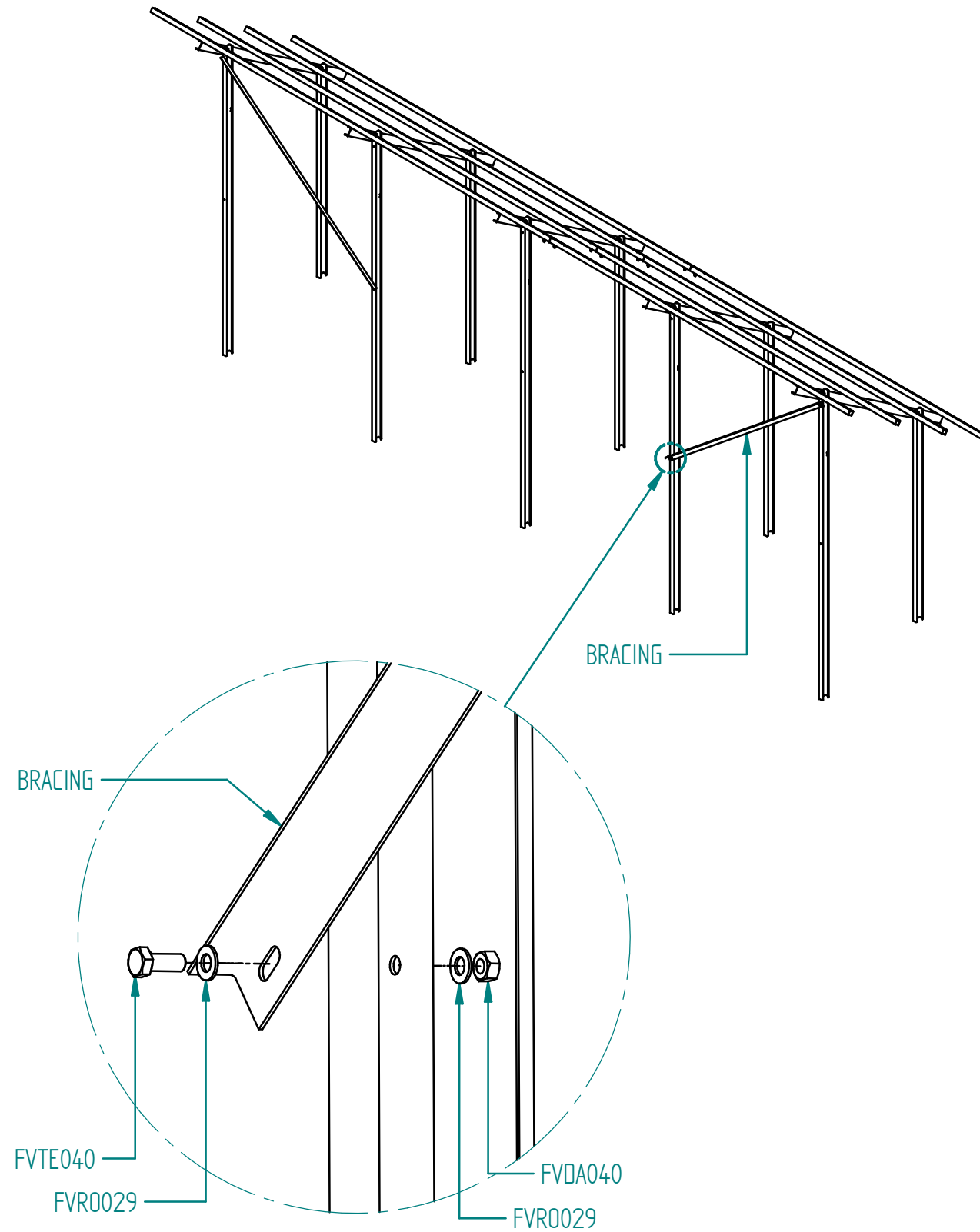
FTL2169 (JOINT FOR PURLINS)



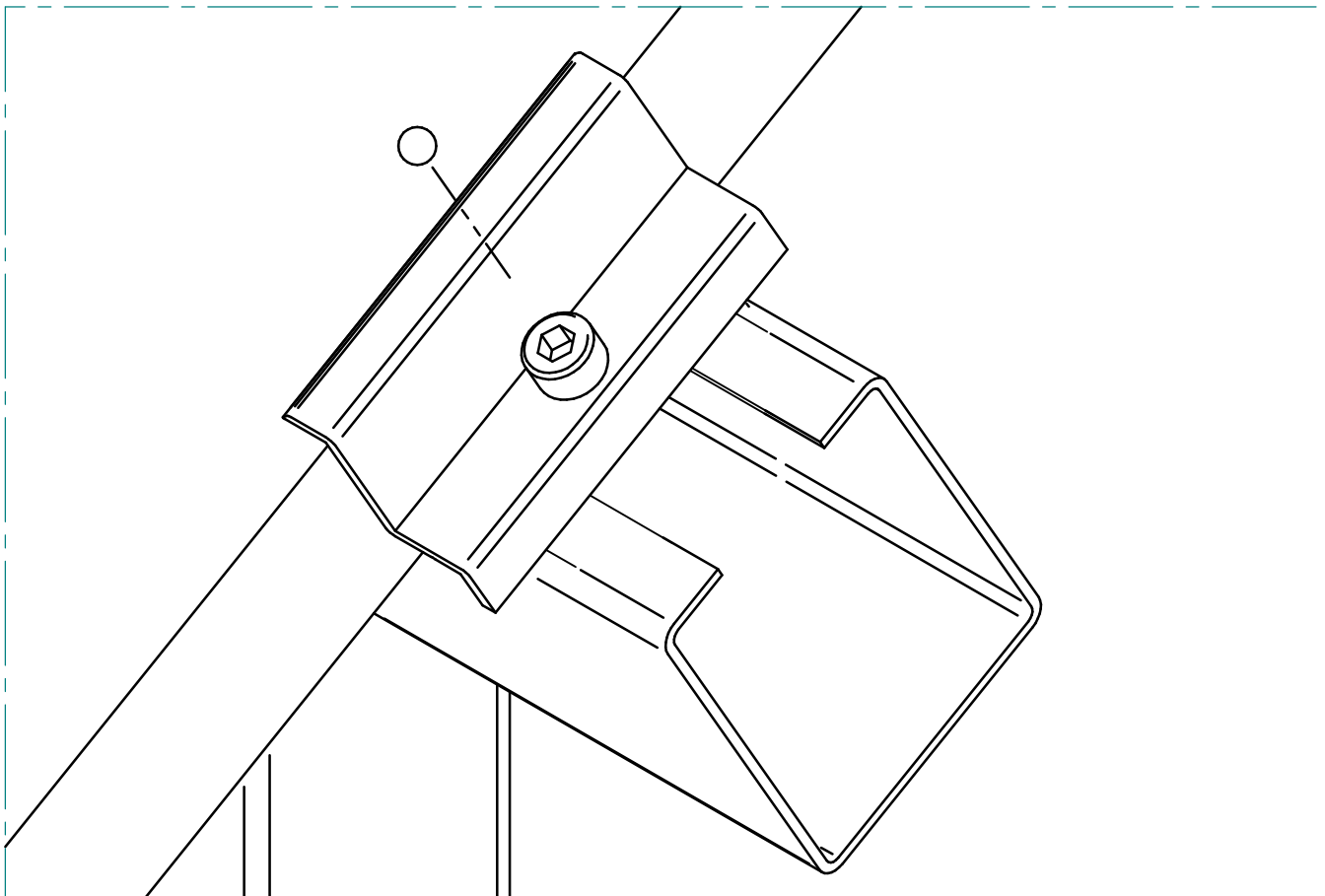
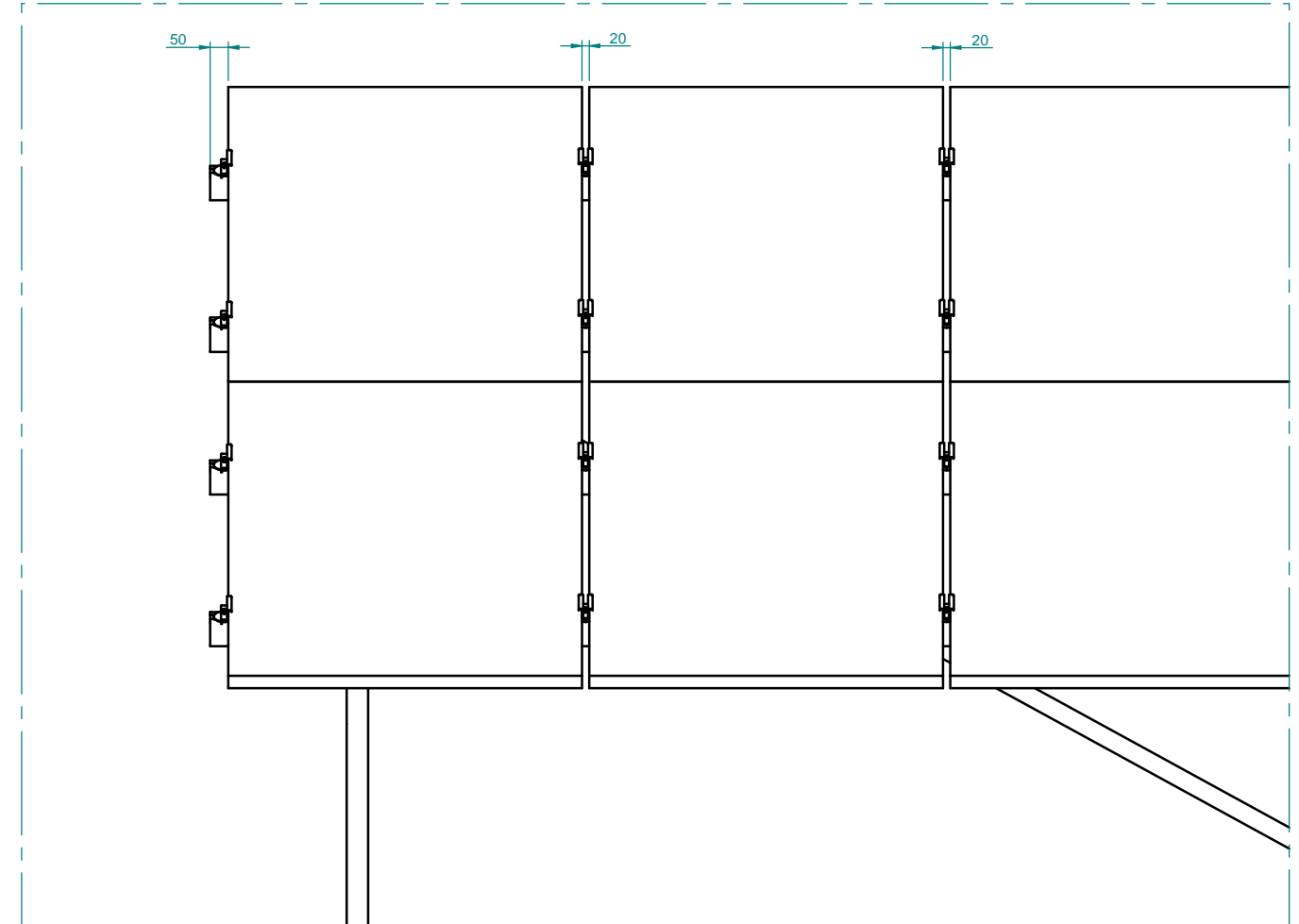
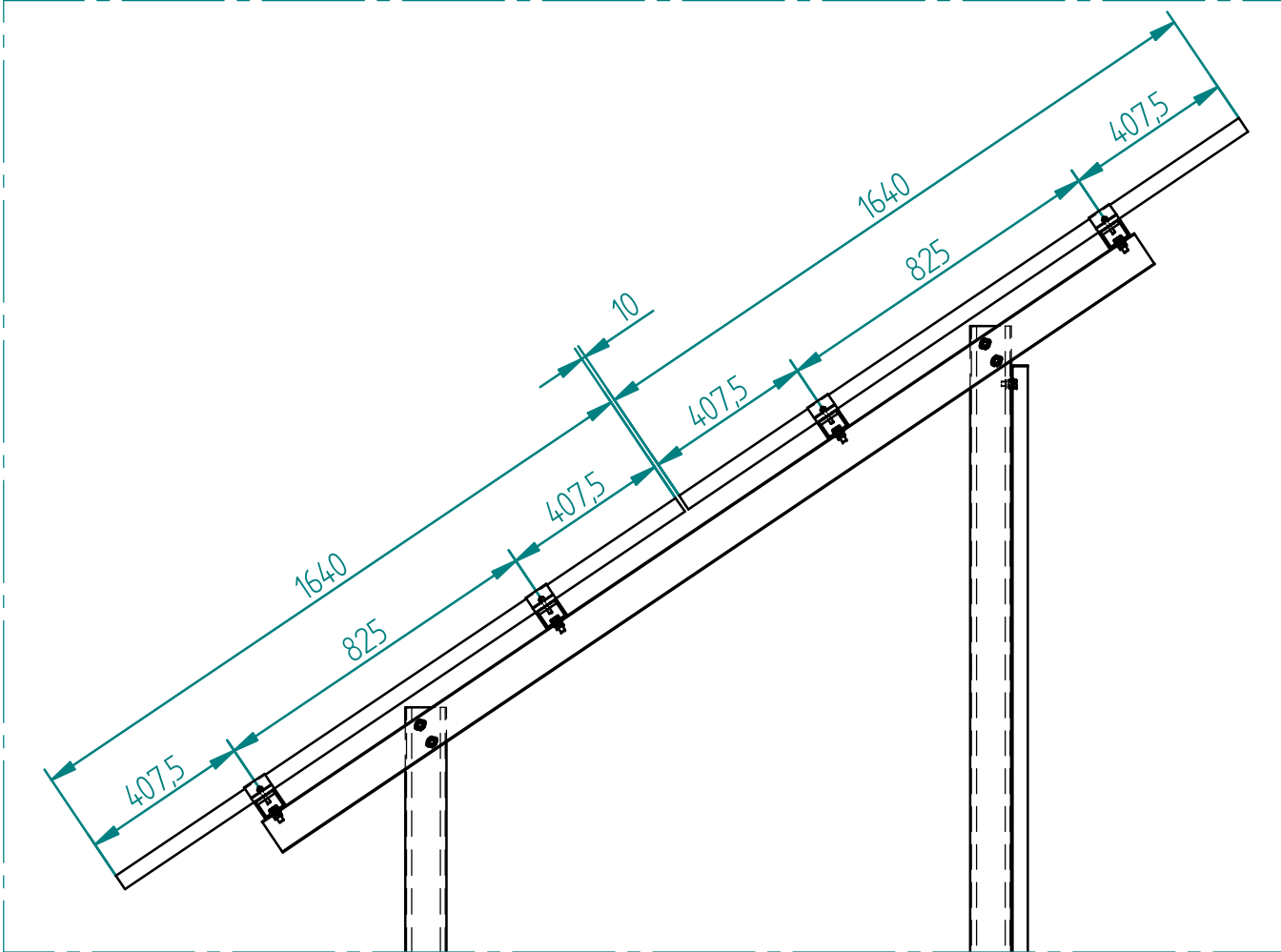
PURLINS ON BEAMS



BRACING: MOUNTING



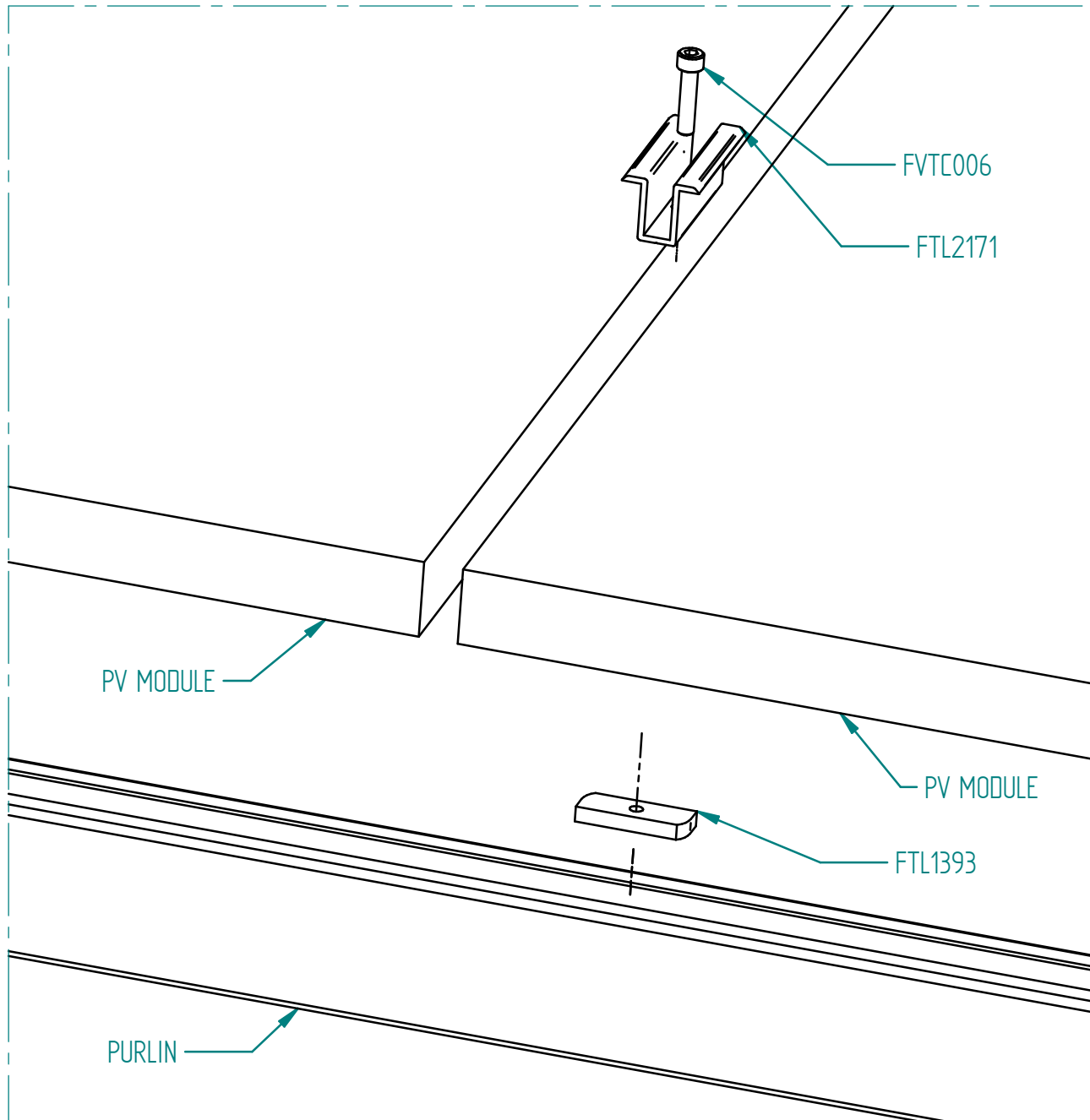
MODULES MOUNTING (see next page for clamps mounting)



NOTE:
Once the modules' fixing has been completed,
insert the retaining ball (ATL032) in the slot of hexagon
cap screw; the ball prevents the modules from being stolen.

MODULES MOUNTING DETAILS

MIDDLE CLAMP



END CLAMP

