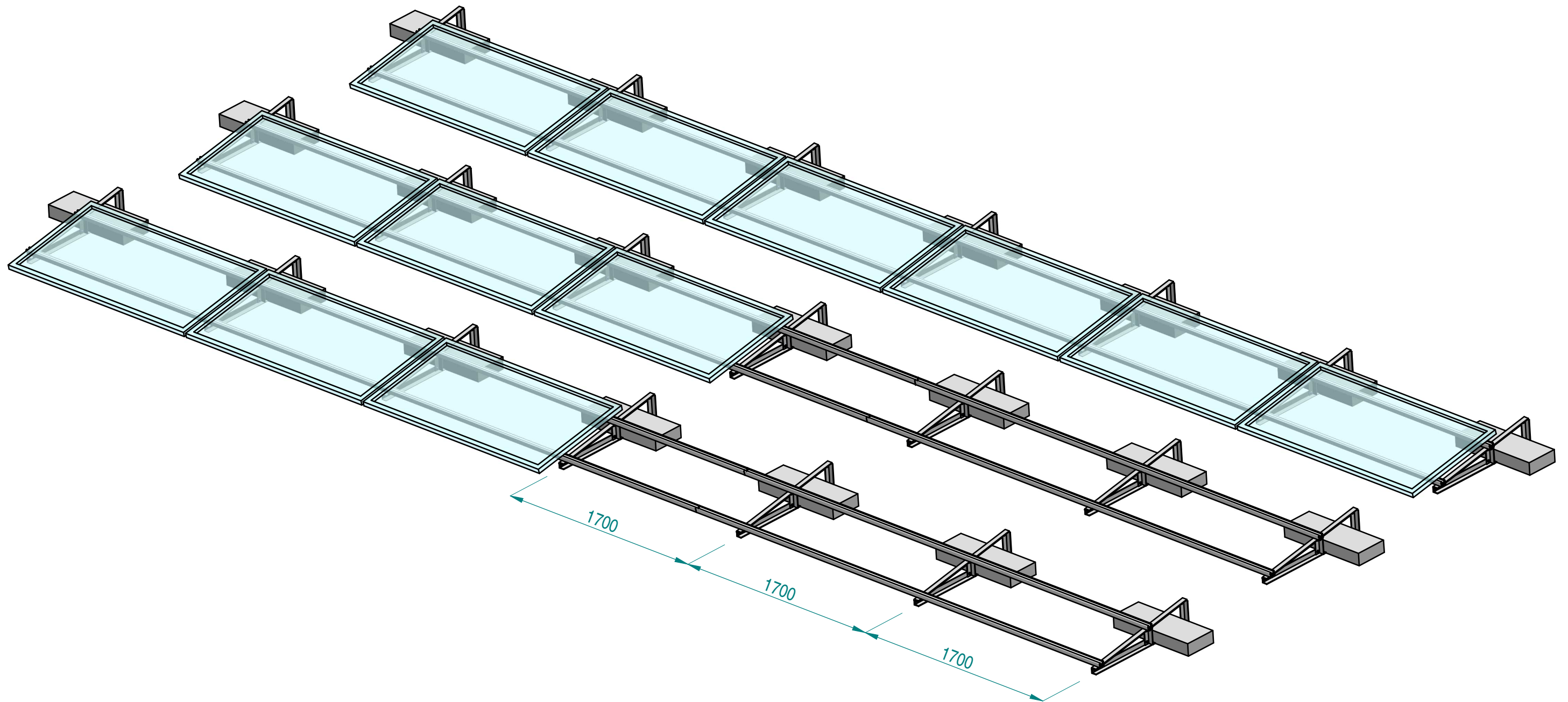
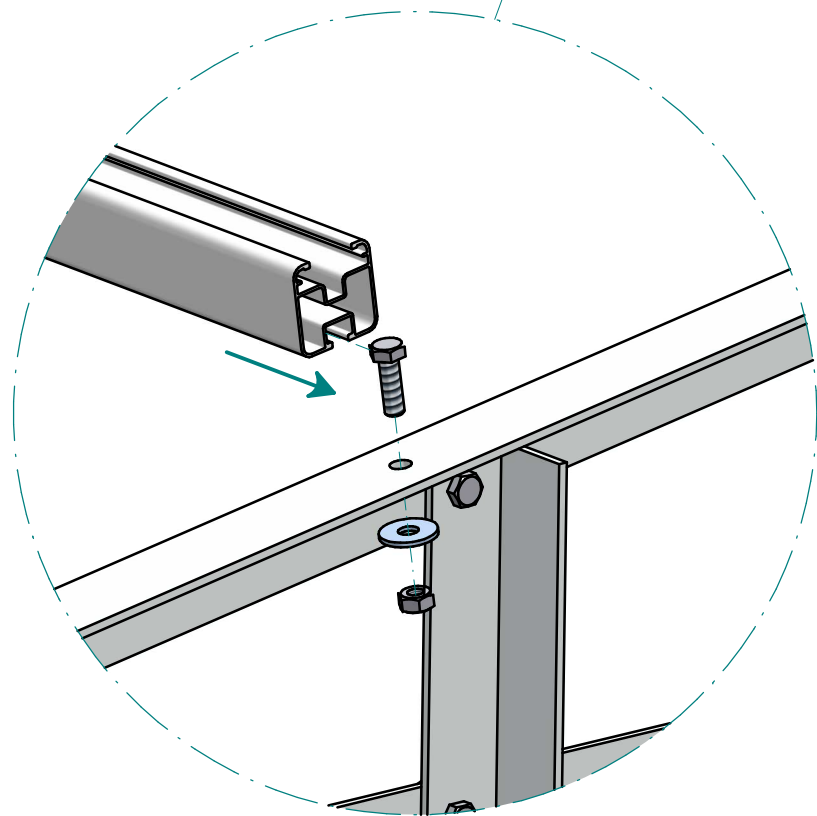
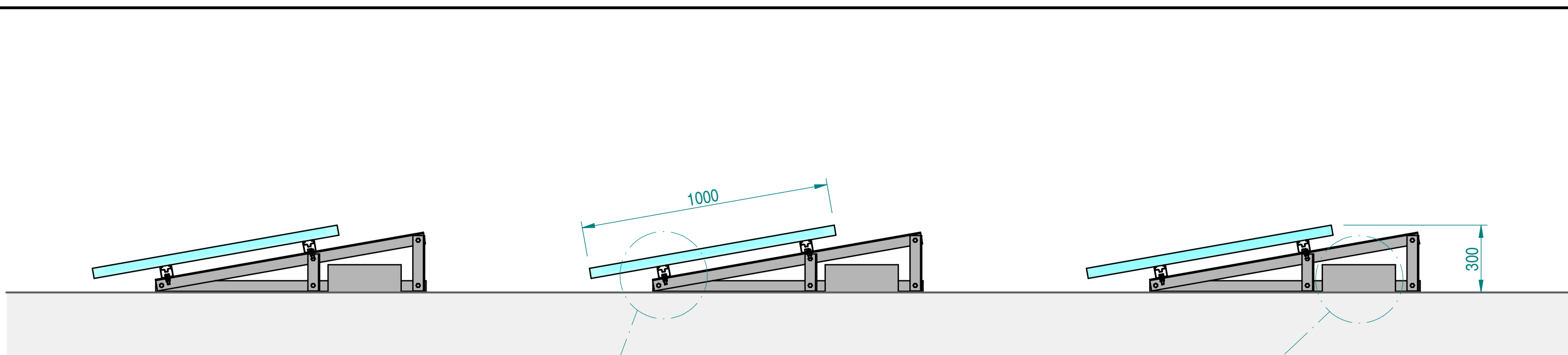
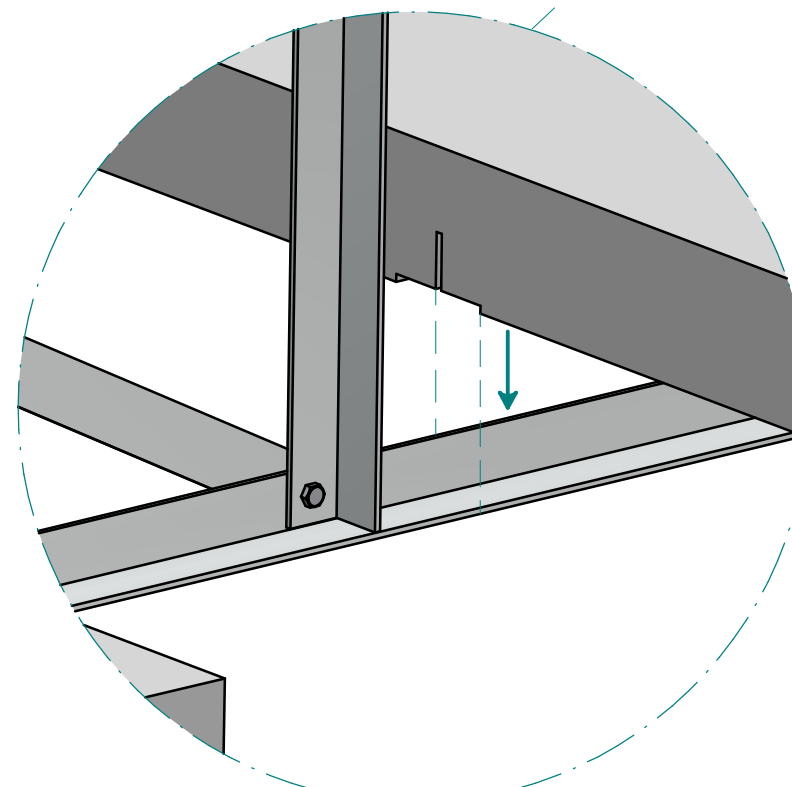


# SUPPORT FOR FLAT ROOF (SINGLE ROW) / HORIZONTAL PLACEMENT

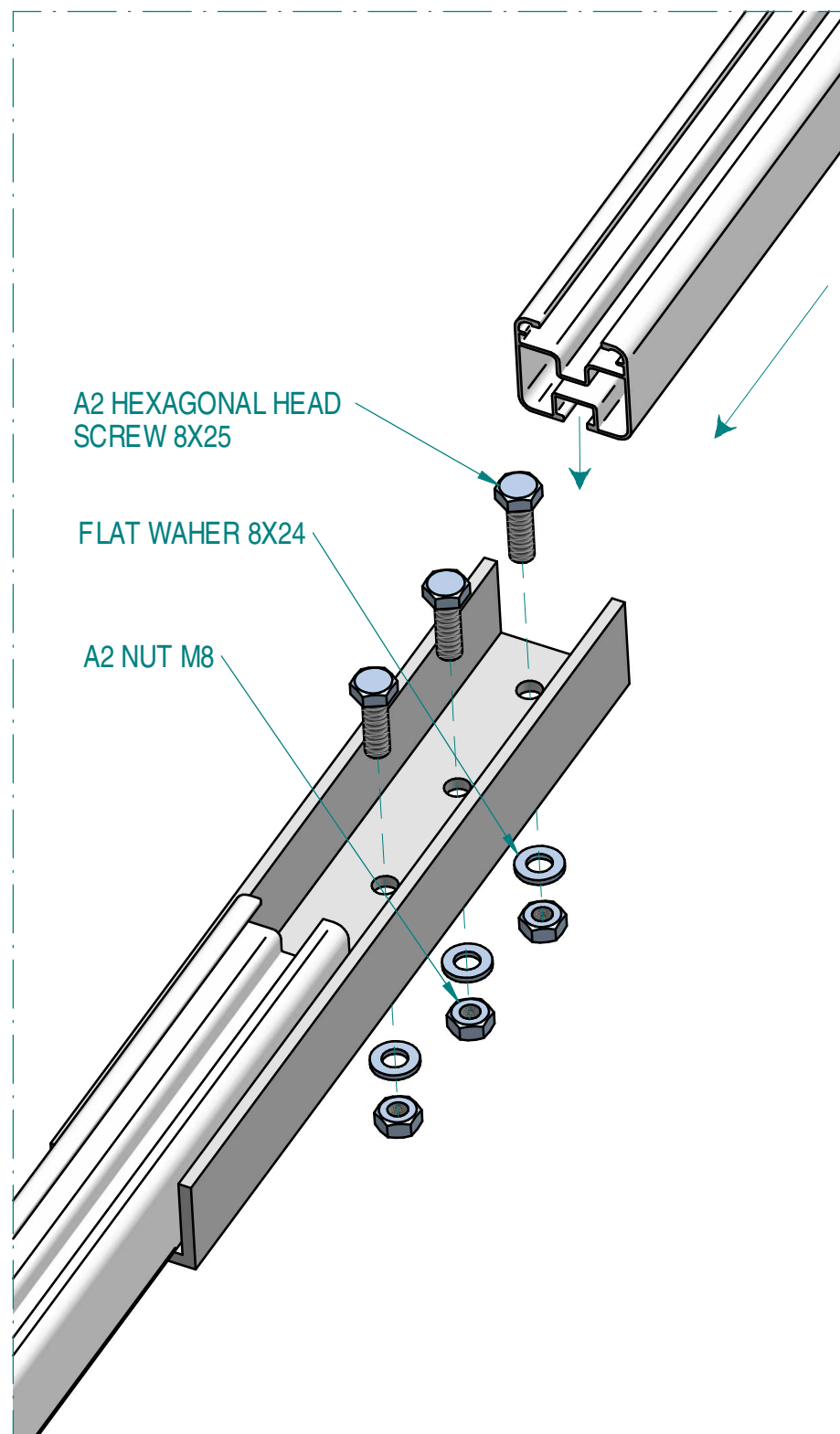




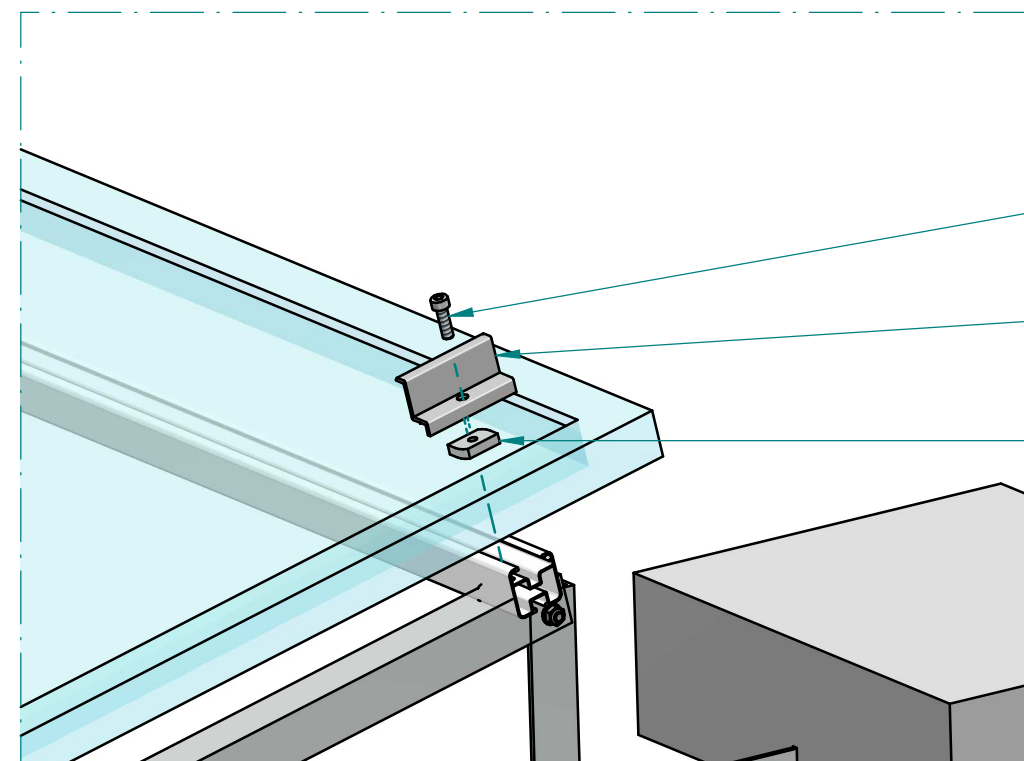
**DETAIL 1**  
MOUNTING RAIL'S FIXING ON SUPPORT



**DETAIL 3**  
BALLAST INSTALLATION

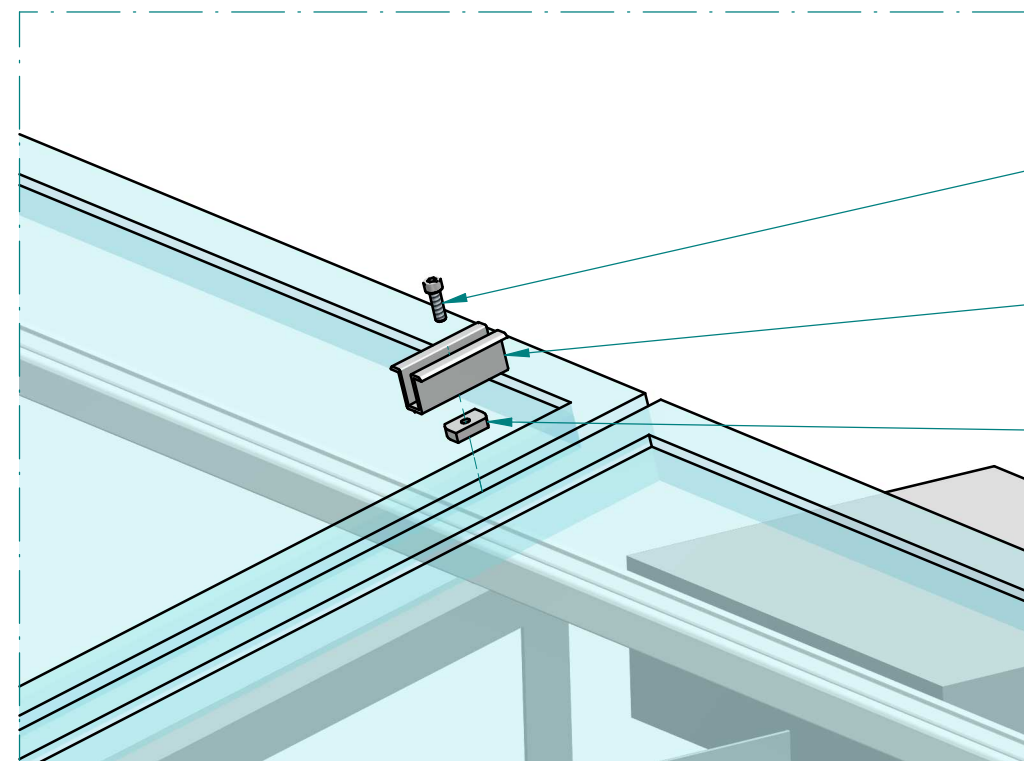


**DETAIL 4**  
JOINT FOR 40X40 MOUNTING RAIL [ATL048]



**DETAIL 5**  
END MODULE FIXING CLAMP WITH ECCENTRIC NUT AND SCREW [ATL004.80- -]

- A2 HEXAGON SOCKET CAP SCREW
- FINAL MODULE FIXING CLAMP
- ECCENTRIC NUT



**DETAIL 6**  
MIDDLE MODULE FIXING CLAMP WITH ECCENTRIC NUT AND SCREW [ATL006.80- -]

- A2 HEXAGON SOCKET CAP SCREW
- MIDDLE MODULE FIXING CLAMP
- ECCENTRIC NUT