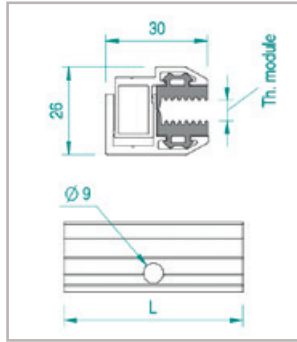
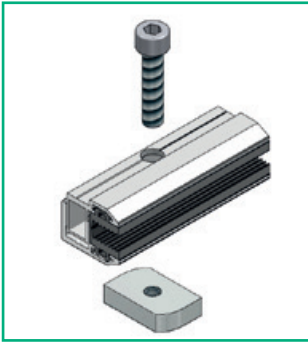


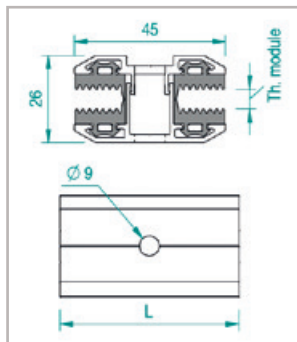
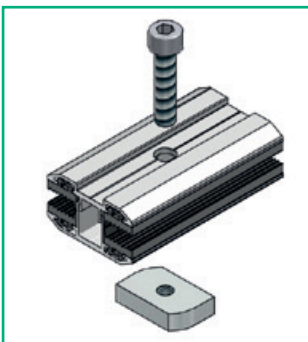
## END CLAMP WITH ECCENTRIC NUT AND SCREW (INCLUDED)



CODE	L (mm)	MODULE THICK. (mm)	SCREW (included)
ATL044.80	80	4 ÷ 7,2	TCEI M8X35
ATL039.80	80	5,8 ÷ 9	TCEI M8X35
ATL044.100	100	4 ÷ 7,2	TCEI M8X35
ATL039.100	100	5,8 ÷ 9	TCEI M8X35

- Materials:**
- Raw extruded aluminium, AL6060T5
  - Screw in A2 stainless steel
  - Nut in raw extruded aluminium, AL6060-T5
  - Seal in black EPDM

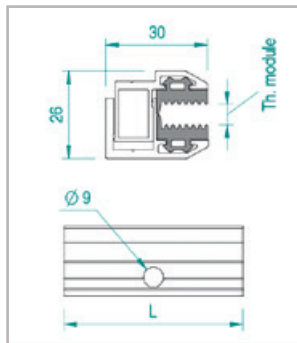
## MIDDLE CLAMP WITH ECCENTRIC NUT AND SCREW (INCLUDED)



CODE	L (mm)	MODULE THICK. (mm)	SCREW (included)
ATL043.80	80	4 ÷ 7,2	TCEI M8X35
ATL036.80	80	5,8 ÷ 9	TCEI M8X35
ATL043.100	100	4 ÷ 7,2	TCEI M8X35
ATL036.100	100	5,8 ÷ 9	TCEI M8X35

- Materials:**
- Raw extruded aluminium, AL6060T5
  - Screw in A2 stainless steel
  - Nut in raw extruded aluminium, AL6060-T5
  - Seal in black EPDM

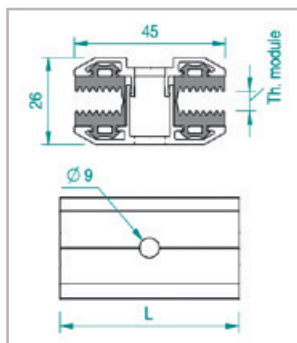
## END CLAMP WITHOUT FASTENERS



CODE	L (mm)	MODULE THICK. (mm)	SCREW
ATL042.80	80	4 ÷ 7,2	Not included
ATL038.80	80	5,8 ÷ 9	Not included
ATL042.100	100	4 ÷ 7,2	Not included
ATL038.100	100	5,8 ÷ 9	Not included

- Materials:**
- Raw extruded aluminium, AL6060T5
  - Seal in black EPDM

## MIDDLE CLAMP WITHOUT FASTENERS



CODE	L (mm)	MODULE THICK. (mm)	SCREW
ATL041.80	80	4 ÷ 7,2	Not included
ATL035.80	80	5,8 ÷ 9	Not included
ATL041.100	100	4 ÷ 7,2	Not included
ATL035.100	100	5,8 ÷ 9	Not included

- Materials:**
- Raw extruded aluminium, AL6060T5
  - Seal in black EPDM

